

IRON BALTIC

Helping to make your vehicle all it can be!



ATV & UTV
ACCESSORIES

2024

IRON BALTIC

Follow us



Iron Baltic is known as a leading manufacturer of accessories and towing equipment for off-road vehicles. Our vision is that the ATV / UTV can be an even more valuable and versatile machine.

We see an ATV as a versatile machine, so our goal is to help people to get the most out of their ATVs. That is why we offer accessories that make the off-road vehicle a more capable and more attractive machine with a wider scope of use.

We are committed to the development and production of top-level accessories for off-road vehicles, consistently investing in finding the best solutions. We not only want to create high-quality products, but also want to be a reliable partner who is always ready to support our customers.

We are constantly looking for new distributors and partners around the world to bring products closer to users. Feeling that our products can provide added value to customers, you are welcome to contact us at sales@ironbaltic.com to discuss.



www.ironbaltic.com



TABLE OF CONTENTS

SKID PLATES

ALUMINIUM SKID PLATES	4
PLASTIC SKID PLATES	10

WINTER

MID-MOUNT PLOW SYSTEM	16
FRONT-MOUNT PLOW SYSTEM	18
UTV FRONT-MOUNT PLOW SYSTEM	20
MID-MOUNT V-PLOW SYSTEM G2	30
FRONT-MOUNT V-PLOW SYSTEM G2	32
PLOW BUCKETS	36
2-IN-1 MODULAR PLOW BUCKET	38
SAND SPREADER G2-500 PRO	40
UNIVERSAL SPREADER / SEEDER	41
ROTARY BROOM	42
SNOW BLOWER	44
SNOW ROLLER / SKI TRACK GROOMER	46
SKI TRACK MAKER	50
CLASSIC TRACK SETTER	51
CARGO SLED	52
SKI SLED	53
TRAILER SKIS	54

FARMING

TRAILER IB-165	56
TRAILER OFFROAD 500	58
TRAILER OFFROAD PRO 1200	60
FLATBED DUMP TRAILER FD-1200	62
PALLET / TANK TRAILER	64
FLAIL MOWER	66
BALE TRAILER	68
SILO & HAY BALE TRAILER	69
SWEEPER COLLECTOR	70
RIDING ARENA LEVELER	72
RECEIVER MOUNT SYSTEM	74
DRAG HARROW	82
LEVELER	83
FLIP OVER DISC	84
LAND ROLLER	85
GRADER / ROAD SCRAPER	86

FORESTRY

TIMBER TRAILER IB 1200	88
LOG HAULER	94
LOG SKIDDING PLATE	96
CHAINSAW HOLDER	97
WOOD CHIPPER G2	98
WOOD CHIPPER G3	99
LEAF VACUUM	100

ACCESSORIES

HYDRAULIC POWER UNIT	102
ELECTRO-HYDRAULIC CYLINDER	104
QUICK RELEASE CLAMPS	106
ECCENTRIC CLAMP	108
WINCH ROPE FAIRLEAD	108
LOADING RAMPS	108
SUSPENSION LOCK	109
SUSPENSION SPRING LOCK	109
MULTI-MOUNT WINCH	110
EQUIPMENT BOX	111

PERFORMANCE

CLUTCH KITS	112
SECONDARY CLUTCH SPRINGS	118
SECONDARY CLUTCH HELIXES	119
ENGINE HIGH FLOW INTAKES	120
CLUTCH TOOLS	120
ECU TUNING	121

ADAPTERS

MODEL SPECIFIC MOUNTING KITS	122
------------------------------	-----



ALUMINIUM SKID PLATES

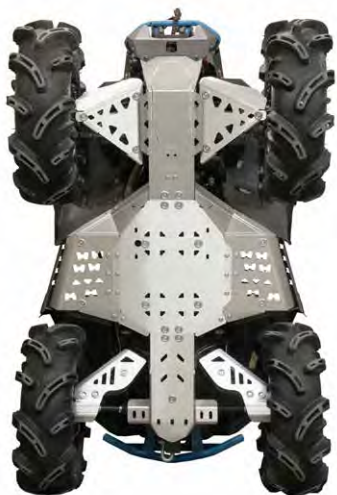
Material	Corrosion resistant, brushed marine aluminium
Thickness	4mm
Info	<p>Full protection of bottom and the front part of the ATV</p> <p>Openings for mud draining and washing</p> <p>Holes for oil changing</p> <p>Holes for plow mounting kits</p> <p>Fasteners and instructions are enclosed</p>

Iron Baltic aluminium skid plate kits are made from marine grade aluminium, which is the hardest aluminium that can still be mechanically processed. The aluminium is shaped using CNC cutting, the sides are then CNC bent, and the corners of the bent sides TIG welded. The outcome is a structurally rigid skid plate that is strong and durable even in extreme conditions. Iron Baltic skid plate kits come complete with arm guards and full mounting hardware required for installation.

Access	Code
AX 600/700/800 U (short models)	02.25300
AODES	Code
AODES 800	02.21800
AODES 650/850/1000 S (2021+)	02.28300
AODES 650/850/1000 L (2021+)	02.28100
Arctic Cat	Code
500/550/700	02.9400
550/700 Limited	02.11800
Alterra 550 / 700	02.20700
1000 XT	02.2000



TRV 500 / 550 / 700	02.6600
TRV 1000	02.11200
Wildcat (-2016)	02.9800
BRP Can-Am	Code
Outlander G1	02.6300
Outlander G1 MAX	02.6000
Outlander G2 L	02.15800
Outlander G2 L MAX	02.16400
Outlander G2 (2012-2016)	02.8400
Outlander G2 MAX (2013-2016)	02.10000
Outlander G2 450/570 L (2017+)	02.15800
Outlander G2 450/570 L MAX (2017+)	02.16400
Outlander G2 (2017-2018) *	02.18800
Outlander G2 (2019+) *	02.23100
Outlander G2 MAX (2017-2018) *	02.19200
Outlander G2 MAX (2019+) *	02.23600
Outlander G3 500/700 (2023+)	02.30900
Outlander G3 MAX 500/700 (2023+)	02.31100
Outlander XXC (2023+)	02.23100
Outlander 6x6 (-2016)	02.20300
Outlander 6x6 (2017-2018)	02.21100
Outlander 6x6 (2019+)	02.24800
Outlander 6x6 MAX (2017-2018)	02.22900
Outlander 6x6 MAX (2019+)	02.25100
Outlander 6x6 450 T (2020+)	02.26200
Outlander 6x6 450 MAX	02.29200
Outlander X MR 650/800/850 (-2016)	02.8400
Outlander X MR 650/850 (2017-2018)	02.18800
Outlander X MR 650/850 (2019+)	02.23100
Outlander X MR 1000 (-2016)	02.10000
Outlander X MR 1000 (2017-2018)	02.19200
Outlander X MR 1000 (2019+)	02.23600
Renegade G1	02.6900
Renegade G2 (-2016)	02.8200
Renegade G2 (2017-2018)	02.20100
Renegade G2 (2019-2022)	02.23800
Renegade XXC (2023+)	02.30600
Renegade X MR (-2016)	02.18200
Renegade X MR (2017-2018)	02.19000
Renegade X MR (2019+)	02.23400
Commander (-2014)	02.8900
Maverick (-2014)	02.12200
Traxter/Defender	02.21300



* Except for the "L" series equipment (without front bumper).

CFMOTO	Code
CFORCE 450/520-S (-2021)	02.17000
CFORCE 450/520-L (-2021)	02.17200
CFORCE 450/520-S (2022+)	02.28800
CFORCE 450/520-L (2022+)	02.28600
CFORCE 550/600	02.15000
CFORCE 625 (-2022)	02.27100
CFORCE 625 Touring (-2022)	02.25700
CFORCE 625 (2023+)	02.29700
CFORCE 625 Touring (2023+)	02.29900
CFORCE 850/1000	02.22600
CFORCE 1000 Overland	02.22600
ZFORCE 550 EX (Z5 EX)	02.13600
ZFORCE 600 (Z6)	02.5700
ZFORCE 600 EX (Z6 EX)	02.14100
ZFORCE 800 EX (Z8 EX)	02.13600
ZFORCE 950 Sport (2023+)	02.30500
ZFORCE 950 Sport XL (2023+)	02.31300
ZFORCE 1000	02.13600
ZFORCE 950/1000 Sport	02.26100
ZFORCE 950/1000 Sport R	02.29000
UFORCE 550	02.10700
UFORCE 600	02.28000
UFORCE 800	02.10700
UFORCE 1000 (-2021)	02.24600
UFORCE 1000 (2022+)	02.29500
UFORCE 1000 XL (2022+)	02.30800



GOES	Code
725	02.14300
Cobalt/Iron	02.19800
Cobalt/Iron MAX	02.19600
Hisun	Code
700 UTV	02.8600
Tactic 550/750 2-UP	02.21600
Honda	Code
TRX 420 FA (-2013)	02.3100
TRX 420 FE/FM (-2013)	02.1200
TRX 420 FA/FE/FM (2014+)	02.13000
TRX 420 FA6 (IRS)	02.16000
TRX 500 FA	02.900
TRX 500 FA (IRS)	02.16000
TRX 500 FE (-2011)	02.900
TRX 500 FE (2012-2013)	02.7400
TRX 500 FE (2014+)	02.13400
TRX 520 FA (IRS) (2019+)	02.16000
TRX 650	02.1010
TRX 680 (-2014)	02.1010
TRX 680 (2015+)	02.16200
Kawasaki	Code
KVF 650 Rigid	02.450
KVF 650/750 BruteForce	02.400
Kymco	Code
MXU 500	02.1180
MXU 700 (-2019)	02.22000
MXU 700 (2020+)	02.27300
Linhai	Code
400	02.3550
500	02.24200
550	02.12000
M550L	02.25500
600	02.12700
Loncin	Code
XWolf 700	02.30100
XWolf 700 L	02.30300



Polaris	Code
ACE 325/570	02.14500
Sportsman 400 (2011+)	02.5600
Sportsman 450/570/ETX	02.12500
Sportsman 500 (-2010)	02.2300
Sportsman 500 (2011+)	02.5600
Sportsman 550	02.1520
Sportsman 570 (2021+)	02.26900
Sportsman 570 SP (2021+)	02.26700
Sportsman 800 (-2010)	02.1400
Sportsman 800 (2011+)	02.5600
Sportsman 850 (-2014)	02.1520
Sportsman 850 (2015+)	02.16600
Sportsman 1000 (-2016)	02.16600
Sportsman 1000 (2017+)	02.19400
Sportsman 1000 S (2020+)	02.25900
Sportsman X2 800	02.1600
Sportsman Touring 550	02.5500
Sportsman Touring 570 / X2	02.13900
Sportsman Touring 850 (-2014)	02.5500
Sportsman Touring 850 (2015+)	02.18000
Sportsman Touring 1000 (-2017)	02.18000
Sportsman Touring 1000 (2018+)	02.24000
Scrambler 850/1000 (-2014)	02.10200
Scrambler 850/1000 (2015+)	02.16800
Scrambler 1000 S (2020+)	02.26400
RZR 570	02.17800
RZR 800	02.4000
RZR 800 S	02.4200
RZR 900 XP (-2014)	02.7500



RZR 1000 XP	02.14200
RZR 1000 XP Turbo	02.14200
RZR PRO XP	02.26600
Big Boss 570	02.18500
Big Boss 800	02.96000
Ranger 400/EV	02.70000
Ranger 570 (-2014)	02.12900
Ranger 570 (2015-2021)	02.18400
Ranger SP 570 / Nordic Pro (2022+)	02.29400
Ranger 800 HO	02.80000
Ranger 900 XP	02.12300
Ranger 900 Diesel	02.80000
Ranger 1000 Diesel (-2018)	02.12300
Ranger 1000 XP (2018-2020)	02.23300
Polaris General 1000	02.20000
Segway	Code
Snarler AT6 L	02.27500
Snarler AT6 S	02.27700
Snarler AT5 L	02.31600
Snarler AT5 S	02.31400
Villain SX10 (64")	02.29100
Suzuki	Code
Eiger 400	02.200
KingQuad 450/500/700/750 (-2018)	02.800
KingQuad 500/750AXi (EPS)	02.4800
KingQuad 500/750AXi 2019+	02.4800
TGB	Code
425 Blade	02.4600
550 Blade	02.14800
600 Blade	02.22200
600 LT Blade	02.22400
1000 Blade	02.20500
Trapper	Code
Trapper 550/750	02.21600
Yamaha	Code
Grizzly 450 (2006-2008)	02.1000
Grizzly 450 (2009-2010) mitte EPS	02.3120
Grizzly 550	02.700
Grizzly 700 (-2013)	02.700
Grizzly 700 (2014-2015)	02.13100
Grizzly 700 (2016+)	02.17400
Kodiak 700	02.17600
Kodiak 450 (2017+)	02.21400
Wolverine 700	02.22800





PLASTIC SKID PLATES

Material	Plastic (PE-HWU)
Thickness	10mm
Info	Full protection of bottom and front part of the ATV. Openings for mud draining and washing. Holes for oil changing. Holes for plow mounting kits. Fasteners and instructions are enclosed.

Iron Baltic plastic skid plate kits are made of high density polyethylene HDPE (PE-HWU), which does not dent like aluminium, has excellent sliding properties and high chemical and UV resistance. The material remains very tough even at low temperatures (even at -50°C / -58°F) but is still flexible enough not to deform and regain its shape after an impact. Plastic skid plates are structurally rigid and durable with low friction properties offering easy and safe operations even in extreme conditions. Iron Baltic skid plate kits come complete with arm guards and full mounting hardware required for installation.

Access	Code
AX 600/700/800 U (short models)	02.25400
AODES	Code
AODES 800	02.21900
AODES 650/850/1000 S (2021+)	02.28400
AODES 650/850/1000 L (2021+)	02.28200
Arctic Cat	Code
500/550/700	02.9500
550/700 Limited	02.11900
Alterra 550 / 700	02.20800



1000 XT	02.9100
TRV 500 / 550 / 700	02.11100
TRV 1000 / TRV	02.11300
BRP Can-Am	Code
Outlander G1	02.13800
Outlander G1 MAX	02.13700
Outlander G2 L	02.15900
Outlander G2 L MAX	02.16500
Outlander G2 (-2016)	02.8500
Outlander G2 MAX (-2016)	02.10100
Outlander G2 450/570 (2017+)	02.15900
Outlander G2 450/570 MAX (2017+)	02.16500
Outlander G2 (2017-2018) *	02.18900
Outlander G2 (2019+) *	02.23200
Outlander G2 MAX (2017-2018) *	02.19300
Outlander G2 MAX (2019+) *	02.23700
Outlander G3 500/700 (2023+)	02.31000
Outlander G3 MAX 500/700 (2023+)	02.31200
Outlander XXC (2023+)	02.23200
Outlander 6x6 (-2016)	02.20400
Outlander 6x6 (2017-2018)	02.21200
Outlander 6x6 (2019+)	02.24900
Outlander 6x6 MAX (2017-2018)	02.23000
Outlander 6x6 MAX (2019+)	02.25200
Outlander 6x6 450 T (2020+)	02.26300
Outlander 6x6 450 MAX	02.29300
Outlander X MR 650/800/850 (-2016)	02.8500
Outlander X MR 650/850 (2017-2018)	02.18900
Outlander X MR 650/850 (2019+)	02.23200
Outlander X MR 1000 (-2016)	02.10100
Outlander X MR 1000 (2017-2018)	02.19300
Outlander X MR 1000 (2019+)	02.23700
Renegade G1	02.1610
Renegade G2 (-2016)	02.8300
Renegade G2 (2017-2018)	02.20200
Renegade G2 (2019-2022)	02.23900
Renegade X XC (2023+)	02.30700
Renegade X MR (-2016)	02.18300
Renegade X MR (2017-2018)	02.19100
Renegade X MR (2019+)	02.23500
Traxter/Defender	02.21300

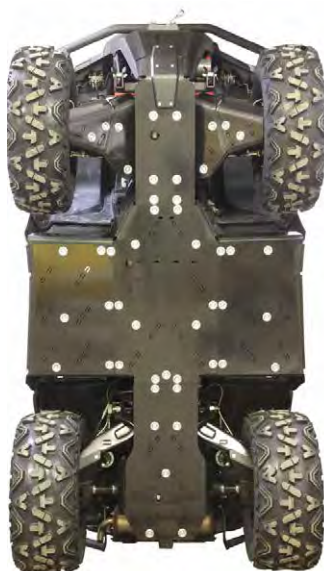
* Except for the "L" series equipment (without front bumper).



CFMOTO	Code
CFORCE 450/520-S (-2021)	02.17100
CFORCE 450/520-L (-2021)	02.17300
CFORCE 450/520-S (2022+)	02.28900
CFORCE 450/520-L (2022+)	02.28700
CFORCE 550/600	02.15100
CFORCE 625 (-2022)	02.27200
CFORCE 625 Touring (-2022)	02.25800
CFORCE 625 (2023+)	02.29800
CFORCE 625 Touring (2023+)	02.30000
CFORCE 850/1000	02.22700
CFORCE 1000 Overland	02.22700
ZFORCE 550 EX (Z5 EX)	02.13600
ZFORCE 950 Sport (2023+)	02.30500
ZFORCE 950 Sport XL (2023+)	02.31300
ZFORCE 600 (Z6)	02.5900
ZFORCE 600 EX (Z6 EX)	02.14100
ZFORCE 800 EX (Z8 EX)	02.13600
ZFORCE 1000	02.13600
ZFORCE 950/1000 Sport	02.26100
ZFORCE 950/1000 Sport R	02.29000
UFORCE 550	02.10800
UFORCE 600	02.28000
UFORCE 800	02.10800
UFORCE 1000 (-2021)	02.24500
UFORCE 1000 (2022+)	02.29600
UFORCE 1000 XL (2022+)	02.30800



GOES	Code
725	02.14400
Cobalt/Iron	02.19900
Cobalt/Iron MAX	02.19700
Hisun	Code
Tactic 550/750 2-UP	02.21700
Honda	Code
TRX 420 FA (-2013)	02.3400
TRX 420 FE/FM (-2013)	02.1800
TRX 420 FA/FE/FM (2014+)	02.13300
TRX 420 FA6 (IRS)	02.16100
TRX 500 FA	02.1120
TRX 500 FA (IRS)	02.16100
TRX 500 FE (-2011)	02.1120
TRX 500 FE (2012-2013)	02.7700
TRX 500 FE (2014+)	02.13500
TRX 520 FA (IRS) (2019+)	02.16100
TRX 650	02.1110
TRX 680 (-2014)	02.1110
TRX 680 (2015+)	02.16300
John Deere	Code
Gator XUV865	02.24700
Kawasaki	Code
KVF 650 Rigid	02.480
KVF 650/750 BruteForce	02.1150
Kymco	Code
MXU 500	02.1850
MXU 700	02.22100
MXU 700 (2020+)	02.27400
Linhai	Code
400	02.3500
500	02.24300
550	02.12100
M550L	02.25600
600	02.12800
Loncin	Code
XWolf 700	02.30200
XWolf 700 L	02.30400



Polaris	Code
ACE 325/570	02.14600
Sportsman 400 (2011+)	02.5800
Sportsman 450/570/ETX/SP (-2020)	02.12600
Sportsman 500 (-2010)	02.2350
Sportsman 500 (2011+)	02.5800
Sportsman 550	02.1540
Sportsman 570 (2021+)	02.27000
Sportsman 570 SP (2021+)	02.26800
Sportsman 800 (-2010)	02.1410
Sportsman 800 (2011+)	02.5800
Sportsman 850 (-2014)	02.1540
Sportsman 850 (2015+)	02.16700
Sportsman 1000 (-2016)	02.16700
Sportsman 1000 (2017+)	02.19500
Sportsman 1000 S (2020+)	02.26000
Sportsman X2 800	02.1650
Sportsman Touring 550	02.5400
Sportsman Touring 570 / X2	02.14000
Sportsman Touring 850 (-2014)	02.5400
Sportsman Touring 850 (2015+)	02.18100
Sportsman Touring 1000 (-2017)	02.18100
Sportsman Touring 1000 (2018+)	02.24100
Scrambler 850/1000 (-2014)	02.10400
Scrambler 850/1000 (2015+)	02.16900
Scrambler 1000 S (2020+)	02.26500
RZR 570	02.17800
RZR 800	02.4100
RZR 800 S	02.4300
RZR 900 XP (-2014)	02.7600
RZR 1000 XP	02.14200
RZR 1000 XP Turbo	02.14200



RZR 900S / 1000S	02.25000
RZR PRO XP	02.26600
Big Boss 570	02.18600
Big Boss 800	02.9700
Ranger 400/EV	02.7100
Ranger 570 (-2014)	02.12900
Ranger 570 (2015-2021)	02.18400
Ranger SP 570 / Nordic Pro (2022+)	02.29400
Ranger 900 XP	02.12400
Ranger 900 Diesel	02.8100
Ranger 1000 Diesel (-2018)	02.12400
Ranger 1000 (2018-2020)	02.23300
Ranger 1000 (2021+)	02.27900
Polaris General 1000	02.20000
Segway	Code
Snarler AT6 L	02.27600
Snarler AT6 S	02.27800
Snarler AT5 L	02.31700
Snarler AT5 S	02.31500
Fugleman UT10	02.28500
Villain SX10 (64")	02.29100
Suzuki	Code
KingQuad 450/500/700/750 (-2018)	02.1160
KingQuad 500/750AXi (EPS)	02.4900
KingQuad 500/750AXi 2019+	02.4900
TGB	Code
550 Blade	02.14900
600 Blade	02.22300
600 LT Blade	02.22500
600 LTX Blade	02.22500
1000 Blade	02.20600
1000 LTX Blade	02.20600
Trapper	Code
Trapper 550/750	02.21700
Yamaha	Code
Grizzly 450 (2006-2008)	02.1960
Grizzly 450 (2009-2010) mitte EPS	02.3010
Grizzly 550	02.1170
Grizzly 700 (-2013)	02.1170
Grizzly 700 (2014-2015)	02.13200
Grizzly 700 (2016+)	02.17500
Kodiak 700	02.17700
Kodiak 450 (2017+)	02.21500





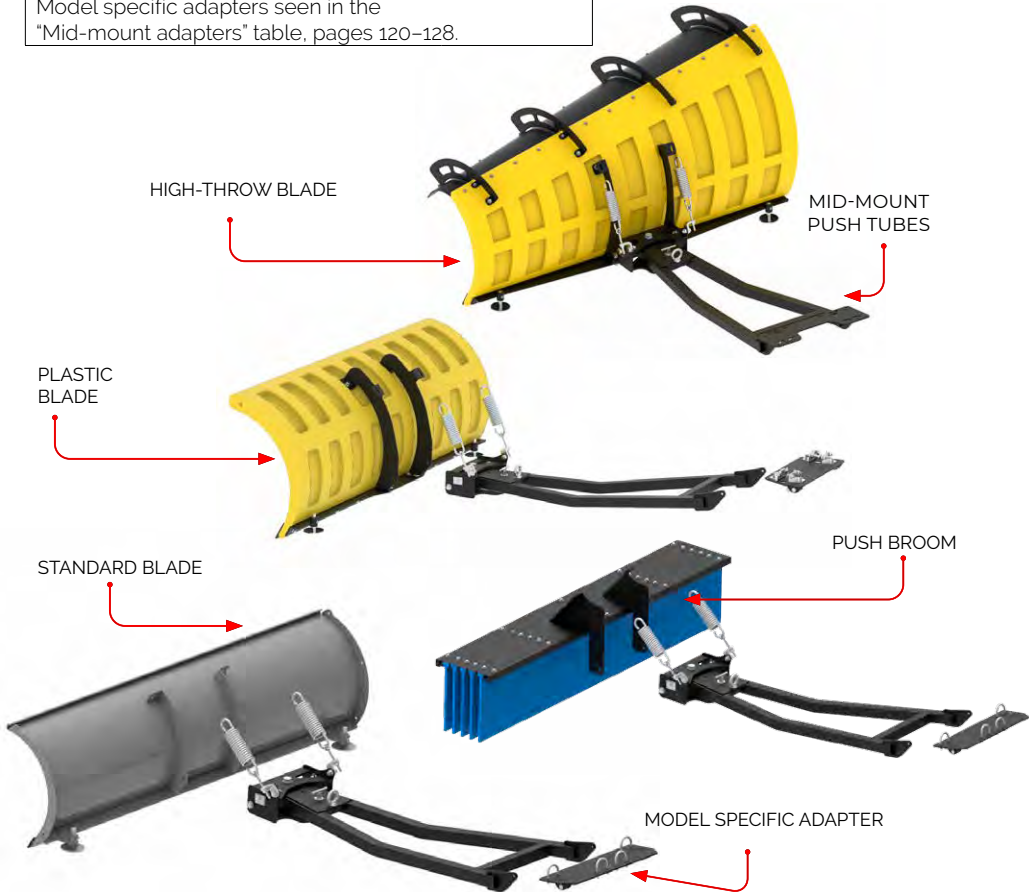
MID-MOUNT PLOW SYSTEM

Mid-mount plow system for snow removal or soil planning. The plow mounts under the vehicle with a model specific or universal mounting adapter. The mid-mount plow system is available in many configurations - with different types and sizes of plow blades or as a push broom instead. Wide selection of optional accessories are available for the mid-mount plow - side extensions, marker antennas, rubber lips for the plow blades and hydraulic or electro-hydraulic control and movement kits for the plow system, see plow accessories on pages 22–24.

- 5-position adjustable working position
- Spring-loaded resistance absorber
- Adjustable working angle
- Sliding shoes for height adjustment



Push tubes	Code
Mid-mount standard	04.200
Mid-mount / tracks fitted machines	04.700
Standard blades	Code
Blade 1280mm	04.100
Blade 1500mm	04.300
Blade 1800mm	04.800
Plastic blades	Code
Plastic blade 1520mm	20.7700
High-Throw blades	Code
High-Throw blade (plastic) 1500mm	20.8000
High-Throw blade (steel) 1800mm	20.7300
Push brooms	Code
Push broom 1500mm	20.1000
Adapters	Code
Universal mid-mount adapter	03.4000
Model specific adapters seen in the "Mid-mount adapters" table, pages 120–128.	





FRONT-MOUNT PLOW SYSTEM

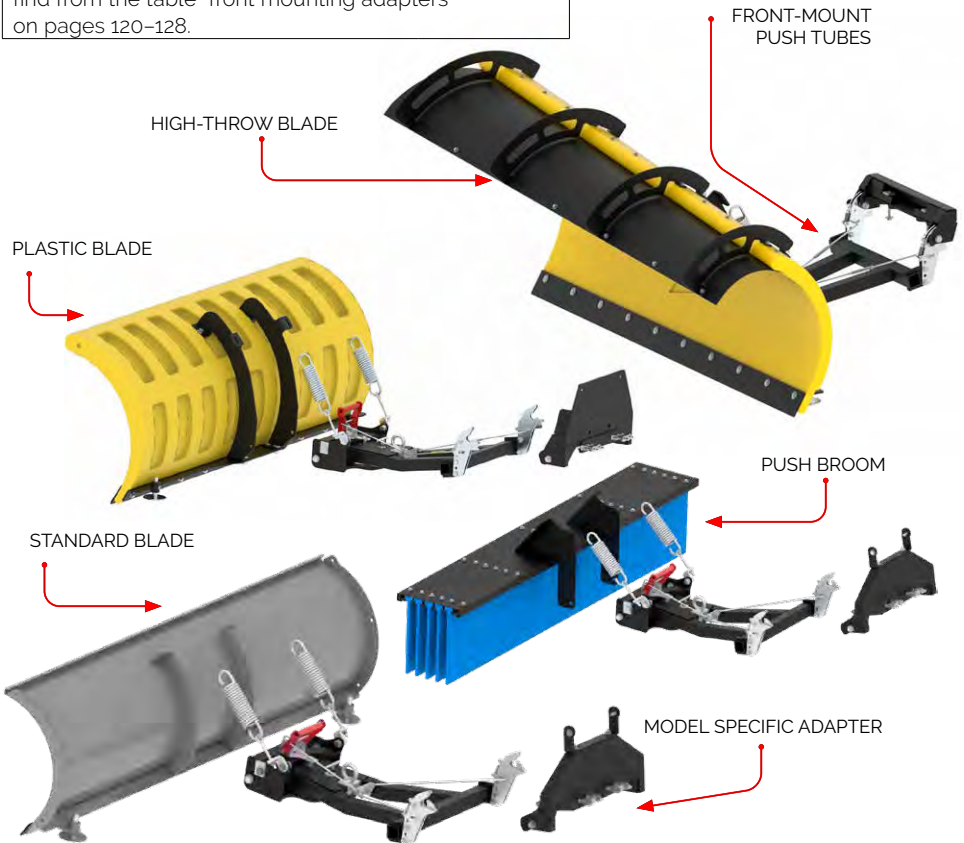
Front-mount plow system for snow removal or soil planning. The plow mounts with a model specific adapter on front of the vehicle using a self-locking quick attach system. Front-mount system completes with different type and size of plow blades, or a push broom. With variety of optional accessories available, it can also be turned into a bucket or use with hydraulic or electro-hydraulic control and movement kits, see plow accessories on pages 22–24

- 5-position adjustable working position
- Spring-loaded resistance absorber
- Adjustable working angle
- Sliding soles for height adjustment
- Self-locking fastening system (quick and easy installation)
- Does not affect vehicle clearance
- High plow lift



Push tubes	Code
Front-mount, standard	20.6200
Front-mount, narrow	20.6400
Front-mount track fitted ATV standard	20.8100
Front-mount track fitted ATV narrow	20.8200
Standard blades	Code
Blade 1280mm	04.100
Blade 1500mm	04.300
Plastic blades	Code
Plastic blade 1520mm	20.7700
High-Throw blades	Code
High-Throw blade 1520mm (plastic)	20.8000
Push brooms	Code
Push broom 1500mm	20.1000
Adapters	Code

Fitment information on model specific adapter and matching push tube version (standard/narrow), find from the table "front mounting adapters" on pages 120–128.

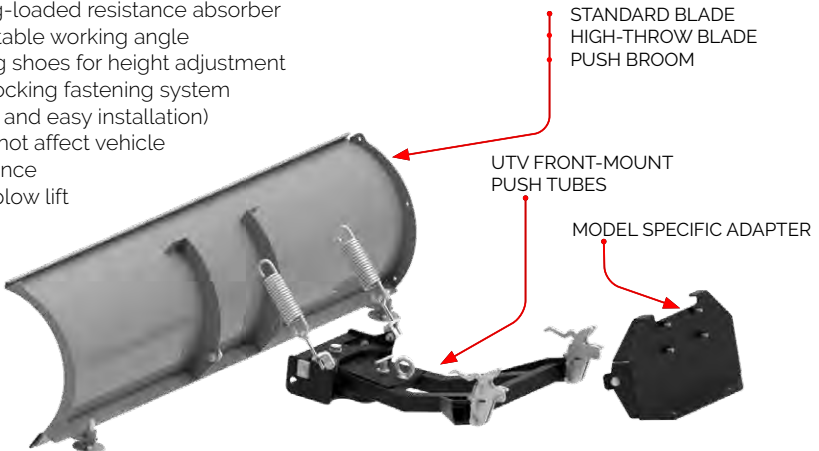




UTV FRONT-MOUNT PLOW SYSTEM

A front-mounted plow system with reinforced coupling / locking mechanism for mounting the equipment with a model specific adapter on UTV-s or other larger side-by-side vehicles. UTV front mount plow system completes with different size of standard plow blades and high-throw plow blades or a push broom. Additional accessories such as blade extensions or rubber lips, bucket conversion kits and hydraulic or electro-hydraulic control and movement kits are available, see plow accessories on pages 22-25.

- Reinforced construction
- 5-position adjustable working position
- Spring-loaded resistance absorber
- Adjustable working angle
- Sliding shoes for height adjustment
- Self-locking fastening system (quick and easy installation)
- Does not affect vehicle clearance
- High plow lift



Push tubes	Code
UTV Front-mount	20.7400
Standard blades	Code
Blade 1280mm	04.100
Blade 1500mm	04.300
Blade 1800mm	04.800
Plastic blades	Code
Plastic blade 1520mm	20.7700
High-throw blades	Code
High-throw blade 1520mm (plastic)	20.8000
High-throw blade 1800mm	20.7300
Push brooms	Code
Push broom 1500mm	20.1000
Adapters	Code
CFMOTO / UFORCE 600	03.12700
CFMOTO / UFORCE 1000	03.10600
CFMOTO / ZFORCE 950/1000	03.11800
CORVUS / Terrain DX4 (-2020)	03.12100
CORVUS / Terrain DX4 (2021+)	03.13000
POLARIS GENERAL	03.7900
POLARIS RZR 900S / 1000S	03.7900
POLARIS RZR 900 XP	03.7000
POLARIS RANGER 400/800/900D/ EV/570 (-2021)	03.7000
POLARIS RANGER SP 570 (2022+)	03.13500
POLARIS RANGER 570 Nordic Pro (2022+)	03.13800
POLARIS RANGER 1000 (2018+)	03.9800
SEGWAY Fugleman (2021+)	03.13200
SEGWAY Villain SX10 (2021+)	03.13400



STANDARD PLOW BLADES

The standard construction plow blades are suitable for snow removal or soil planning. Optional accessories include a blade extension, a bucket attachment, or a rubber blade.

Working height 450mm

Working width 1280mm / 1500mm / 1800mm

Standard blades	Code
Steel blade 1280mm	04.100
Steel blade 1500mm	04.300
Steel blade 1800mm	04.800



PLASTIC BLADES

The plastic plow blades produced using a rotational molding method are suitable for snow removal and surface planning. The plow blades are made of special cold-resistant plastic that has excellent gliding properties, corrosion resistance and chemical durability

Plastic plows	Code
Plastic blade 1520mm	20.7700
High-throw blade 1520mm	20.8000



HIGH-THROW BLADES

High-throw, curved asymmetrical plow blades are designed for faster snow clearing, the top mounted plastic extension prevents snow being thrown over the upper edge and directs it to higher on sideways instead. Perfect tool for snow removal from a roadway.

Working height 410 - 660mm
 Working with 1520mm / 1800mm



High-throw blades	Code
High-throw blade 1520mm (plastic)	20.8000
High-throw blade 1800mm (steel)	20.7300



PUSH BROOM

Push Broom is suitable for the toughest sweeping needs, cleaning agricultural, commercial and industrial debris, rubbish, leaves and even snow, withstanding water and industrial spills. Perfect for maintaining hard surface trails, sidewalks, driveways and sweeping out storage sheds or pole buildings. Push broom is equipped with easily replaceable polypropylene brushes. (pages 100–103).

Working height 300mm
 Working width 1500mm



Product	Code
Push broom 1500mm	20.1000



ACCESSORIES FOR PLOWS

HYDRAULIC CONTROL

Hydraulically controlled turning and lifting / down pushing of the plow allows also the ground soil planning works in addition to the usual snow pushing purpose. Additional information about hydraulic power unit pages 100–101.

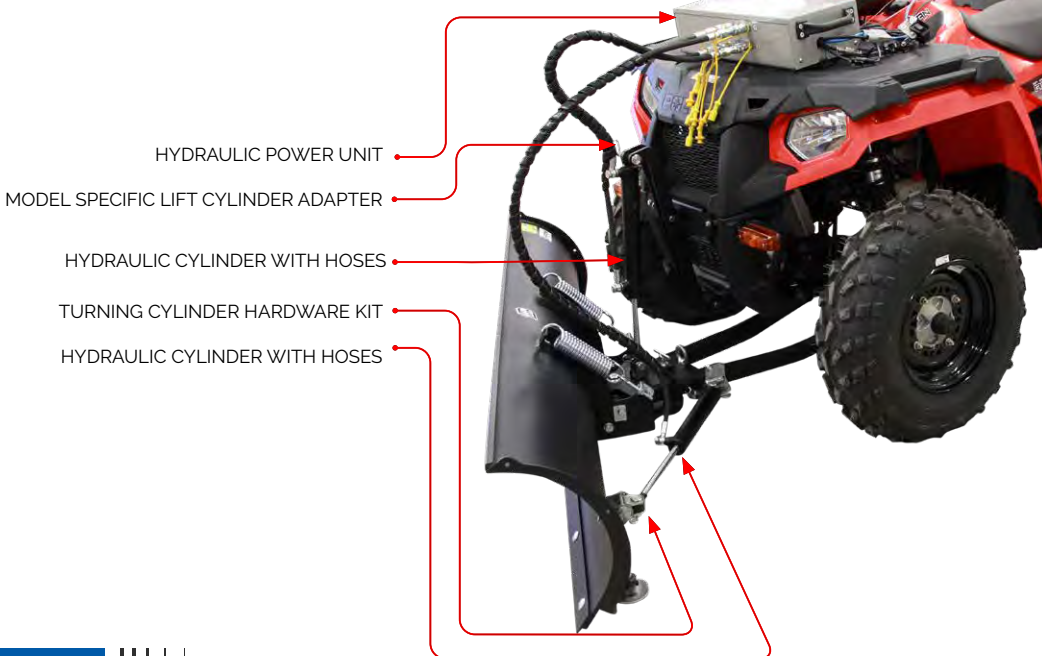


Turning	Code
Hydraulic Power Unit	71.0000
Turning cylinder hardware kit	71.2600
Hydraulic cylinder with hoses	71.3100

Lifting	Code
Hydraulic Power Unit	71.0000
Hydraulic cylinder with hoses	71.3100
Model specific lifting cylinder adapter see pages 120–128	

Turning and lifting	Code
Hydraulic Power Unit	71.0000
Turning cylinder hardware kit	71.2600
2x Hydraulic cylinder with hoses	71.3100
Model specific lifting cylinder adapter see pages 120–128	

Hose extensions (UTV)	Code
Hydraulic hose extensions 3500mm	71.100



ELECTRO-HYDRAULIC CONTROL

Electro-hydraulically controlled turning and lifting / down pushing of the plow allows also the ground soil planning works in addition to the usual snow pushing purpose.

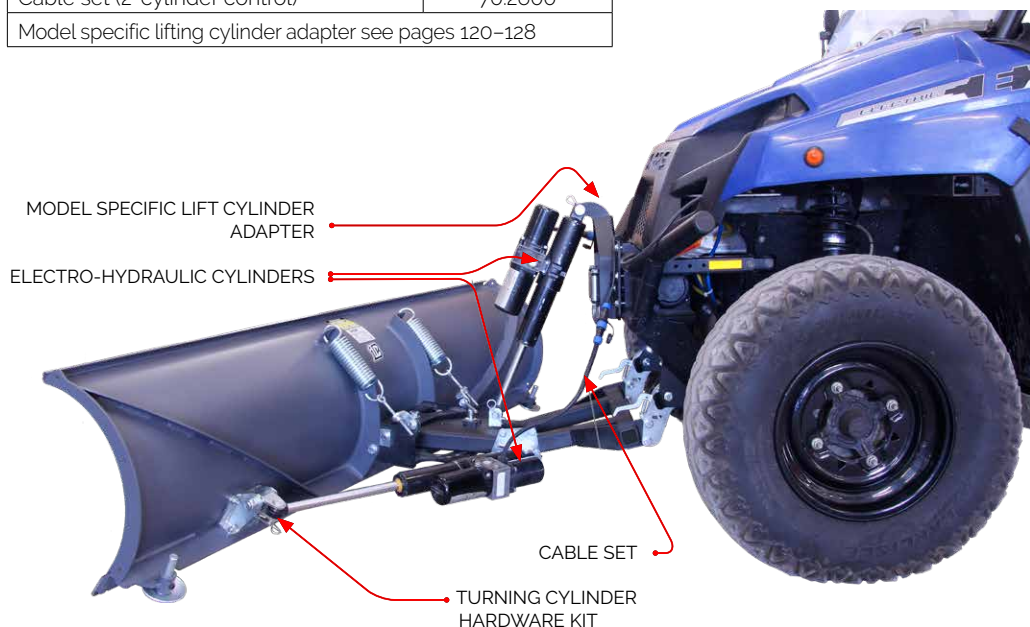
Iron Baltic offers electro-hydraulic cylinders by MAP (Korea) and KYB (Japan), as well as different sets of control panels with power cables. Additional information about electrohydraulic cylinders pages 102–103.



Turning	Code
Cylinder MAP / KYB	70.700 / 70.1000
Turning cylinder hardware kit	71.2600
Cable set (1-cylinder control)	70.2500

Lifting	Code
Cylinder MAP / KYB	70.700 / 70.1000
Cable set (1-cylinder control)	70.2500
Model specific lifting cylinder adapter see pages 120–128	

Turning and lifting	Code
Cylinder MAP / KYB (2pc)	70.700 / 70.1000
Turning cylinder hardware kit	71.2600
Cable set (2-cylinder control)	70.2600
Model specific lifting cylinder adapter see pages 120–128	



BUCKET CONVERSION KITS

Suitable for mounting on 1280mm or 1500mm standard plow blades and to complete the kit with front-mount system push tubes. For more information on plow buckets see pages 34–35.

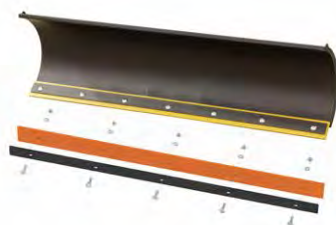
Product	Code
Bucket conversion kit 1280mm	20.6600
Bucket conversion kit 1500mm	20.6650
Mechanical tilt kit	20.6620
Hydraulic tilt kit *	71.10200
* 71.0000 Hydraulic Power Unit is required for hydraulic tilt assembly.	



RUBBER BLADES

Rubber blades produced from durable 10mm thick sheet polyurethane.

Product	Product compatibility	Code
Rubber blade 1280 mm	04.100	20.6510
Rubber blade 1500 mm	04.300 / 20.7200	20.6520
Rubber blade 1520 mm	20.7700 / 20.8000	20.6560
Rubber blade 1800 mm	04.800 / 20.7300	20.6530



BLADE EXTENSIONS

Side extensions fitted on standard blades increase working width 150mm.

Product	Code
Blade extensions	04.600VP



PLOW SIDE MARKERS

The plastic plow side markers are suitable for mounting for Iron Baltic blades.

Product	Code
Blade side antenna markers	20.4000



SNATCH BLOCKS

Snatch blocks help the plow to be lifted higher and extend the working cycle of the winch cable.

Product	Code
Snatch block	14.10200



PLOW LIFT STRAP KIT FOR A WINCH

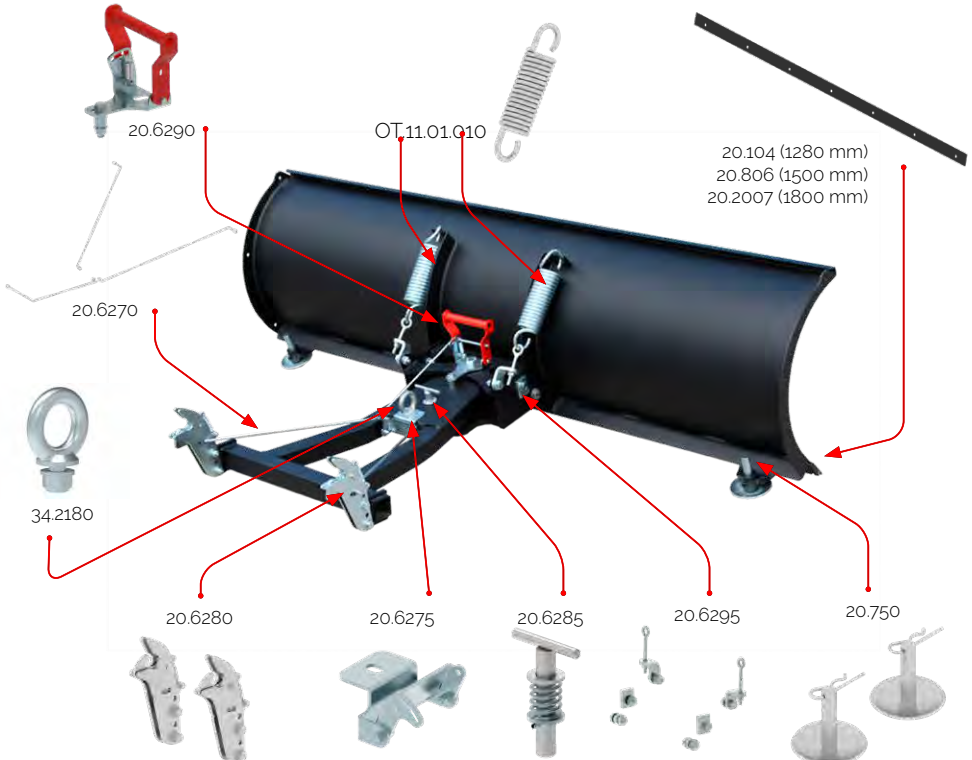
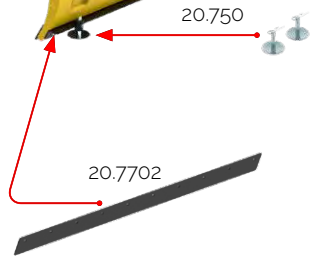
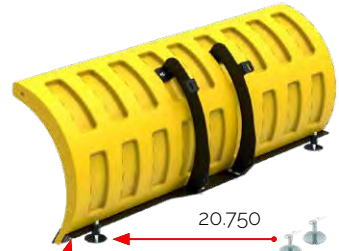
Lifting strap kit that replaces a winch rope or cable. Ideal for use when working with plows, buckets, or other front mounted devices (when lifting with a winch). The lifting strap has a significantly longer work-life than the wires or ropes originally installed on winches. The set includes a lifting strap and a special large roller strap guide.

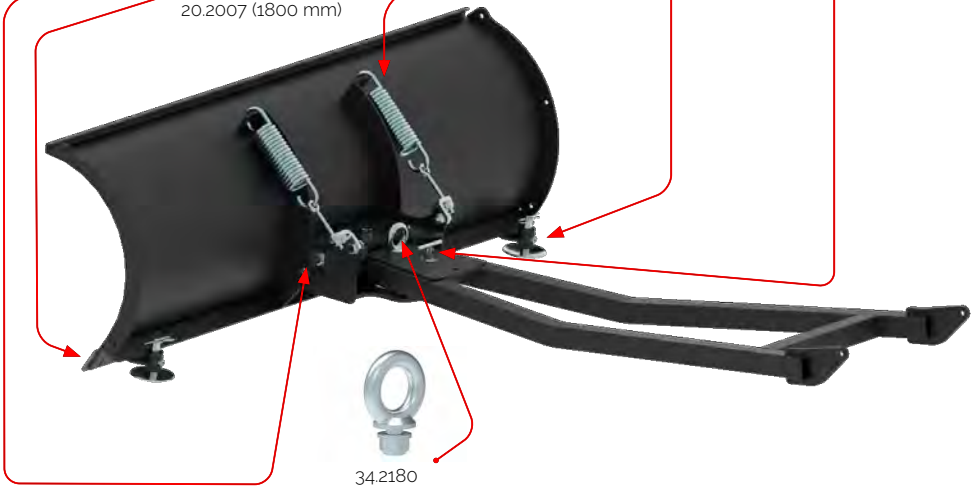
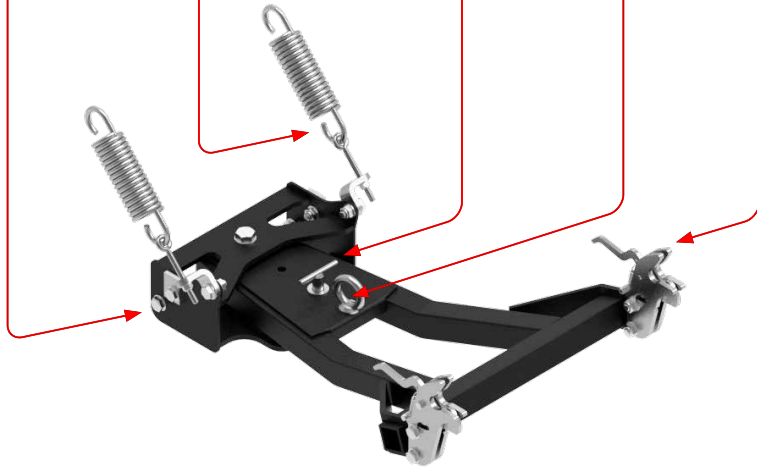
Product	Code
Lifting strap with roller	14.11300



SPARE PARTS FOR PLOWS

Spare parts	Code
Rod kit	20.6270
Rod point, set	20.6275
Latches, pair	20.6280
Latches, pair (heavy-duty, UTV)	20.7450
Locking pin	20.6285
Handler, set	20.6290
Regulators	20.6295
Height adjuster, pair	20.750
Steel blade 1280mm	20.104
Steel blade 1500mm	20.806
Steel blade 1520mm	20.7702
Steel blade 1800mm	20.2007
Extension spring 7x50x200	OT.11.01.010
Extension spring 8x50x200 (heavy-duty)	OT.11.01.050
Plow lifting eye set	34.2180



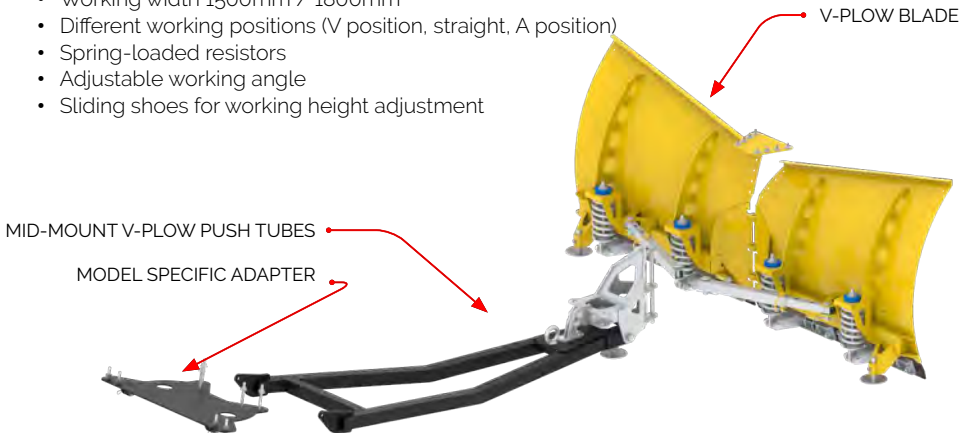




MID-MOUNT V-PLOW SYSTEM G2

The mid-mount V-plow version is a professional snow removal tool which is mounted on the bottom of the vehicle using a model specific adapter. The plow has two independently adjustable wings. The steel parts of both wings are equipped with spring-loaded resistor dampers to avoid damage to the plow or vehicle in case of running it into objects on the road. The mid-mount V-plow kit can be assembled with 1500mm or 1800mm wide blades. Optional accessories like rubber extensions, rubber shields, rubber blades or electric / hydraulic plow movement control sets are available additionally.

- Working height 400 - 600mm
- Working width 1500mm / 1800mm
- Different working positions (V position, straight, A position)
- Spring-loaded resistors
- Adjustable working angle
- Sliding shoes for working height adjustment



Push tubes	Code
Mid-mount, standard	34.2200
Mid-mount, extended, track fitted / high clearance vehicles.	34.2900
Blades	Code
V-Blade 1500mm	34.3500
V-Blade 1800mm	34.3800
Adapters	Code
Universal mid-mount adapter	03.4000
Model specific adapters in the "Mid-mount adapters" table, see pages 120–128.	





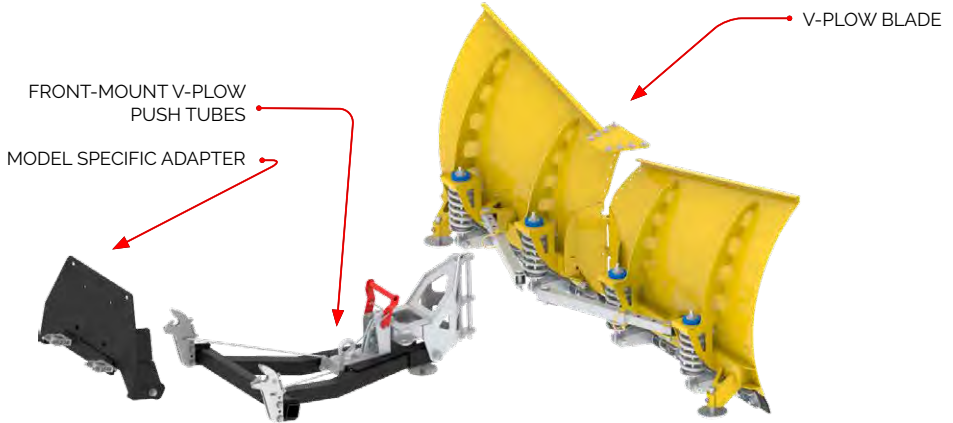
FRONT-MOUNT V-PLOW SYSTEM G2

The front-mount V-plow version is a professional snow removal tool. The plow mounts via self-locking, quick attach coupling system to the front of the vehicle using a vehicle model specific mounting adapter. The plow has two independently adjustable wings. The steel parts of both wings are equipped with spring-loaded resistor dampers to avoid damage to the plow or vehicle in case of running it into objects on the road. The front-mounted V-plow can be used with 1500mm wide blades. Optional accessories like rubber extensions, rubber shields, rubber blades or electric / hydraulic plow movement control sets are available additionally.

- Working height 400 - 600mm
- Working width 1500mm
- Self-locking fastening system (quick and easy installation)
- Different working positions (V position, straight, A position)
- Spring-loaded resistors
- Adjustable working angle
- Sliding soles for height adjustment



Push tubes	Code
Front mount, standard	34.3400
Front mount, narrow	34.3600
Front mount, UTV	34.4000
Blades	Code
V-Blade 1500mm	34.3500
V-Blade 1800mm	34.3800
Use only with 34.4000 UTV front mount push tube.	
Adapterid	Code
Fitment information on model specific adapter and matching push tube version (standard/narrow), find from the table "front mounting adapters" on pages 120–128.	



V-PLOW ACCESSORIES

HYDRAULIC TURNING

The hydraulic turning kit allows you to adjust the working angles of both wings without leaving the driver's seat. Read more about the hydraulic power unit on pages 100–101.

Turning	Code
Hydraulic Power Unit	71.0000
Hydraulic cylinder with hoses G2 V-Plow 1500mm (2 x 71.10000)	71.10000
Hydraulic cylinder with hoses G2 V-Plow 1800mm (2 x 71.3100)	71.3100
Extension hoses (UTV)	Code
Extension hoses 3500mm	71.100



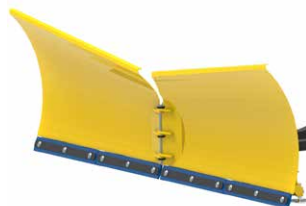
HYDRAULIC POWER UNIT

HYDRAULIC CYLINDER WITH HOSES

RUBBER BLADES

10mm thick rubber blades made of polyurethane (PU) sheet to replace the original steel blades. The rubber blade is double sided. Flip the blade around to other side when one side is worn.

Rubber blades	Code
Rubber blade G2 1500 mm	34.3700
Rubber blade G2 1800 mm	34.3100



RUBBER EDGES

Rubber edges made of polyurethane sheet increase working width by 200mm and simplify cleaning of curbs and squares with curbs.

Rubber edges / extensions	Code
Side wings, pair	34.3200



DEFLECTOR KIT

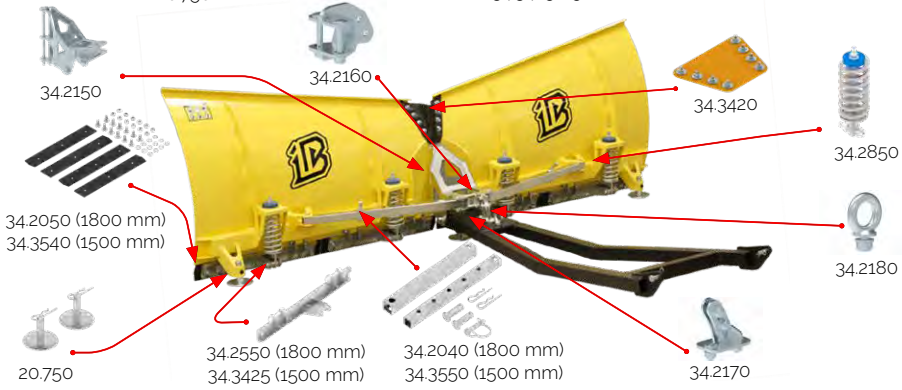
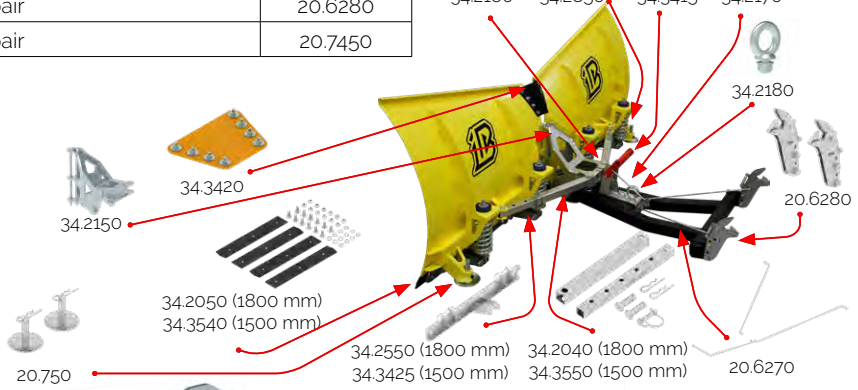
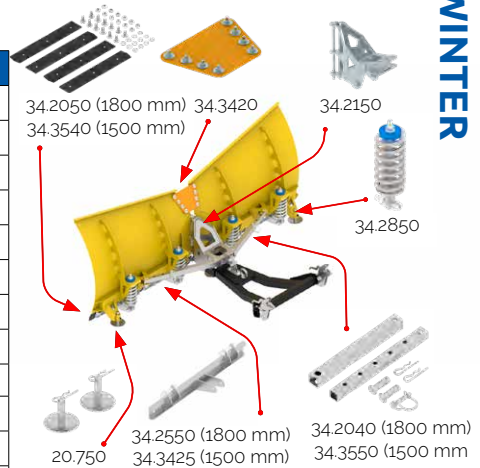
Deflector kit to prevent snow from throwing over the top edge of the blade.

Deflectors	Code
Deflector kit, set G2 1500mm	34.3900
Deflector kit, set G2 1800mm	34.3300



V-PLOW SPARE PARTS

Spare part	Code
Blades G2 1500mm	34.3540
Blades G2 1800mm	34.2050
Adjustment tube G2 1500mm	34.3550
Adjustment tube G2 1800mm	34.2040
Blade holder G2 1500mm	34.3425
Blade holder G2 1800mm	34.2550
Sides connector	34.2150
Plow angle adjuster connector	34.2160
Plow angle adjuster	34.2170
Plow lifting eye set	34.2180
Compression spring	34.2850
Handle	34.3415
Rubber cover	34.3420
Height adjuster, pair	20.750
Rod kit	20.6270
Latches, pair	20.6280
Latches, pair	20.7450

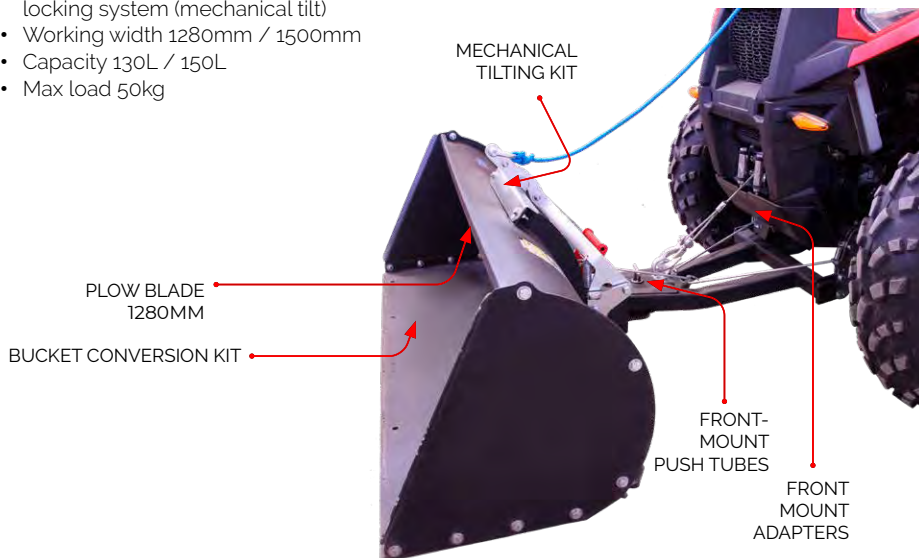




PLOW BUCKETS

Light material buckets are designed for the removal of snow, sawdust, wood chips, manure, peat and other lightweight materials. The bucket set completes from a front-mounted standard blade with a width of 1280mm or 1500mm (see p. 16–19) and an additional bucket conversion kit which forms the base and sides of the bucket around the plow blade. Dumping / tilting the bucket works with a mechanical dumping release (only bucket 1280 mm) or hydraulically.

- Quick and easy installation
- Automatic bucket return & locking system (mechanical tilt)
- Working width 1280mm / 1500mm
- Capacity 130L / 150L
- Max load 50kg



Mechanical bucket 1280mm	Code
Bucket conversion kit 1280mm	20.6600
Mechanical dump / tilting kit	20.6620
Plow blade 1280mm	04.100
Front mount push tubes standard / narrow	20.6200 / 20.6400
Model specific front mount adapters see pages 120–128	

Hydraulic bucket 1280mm	Code
Bucket conversion kit 1280mm	20.6600
Plow blade 1280mm	04.100
Front mount push tubes standard / narrow	20.6200 / 20.6400
Model specific lifting cylinder adapter see pag 120–128	
Hydraulic power unit	71.0000
Hydraulic / dump tilting kit	71.10200
Hydraulic cylinder including hoses	71.3100
Model specific lifting cylinder adapter see pages 120–128	

Hydraulic bucket 1500mm (UTV)	Code
Bucket conversion kit 1500mm	20.6650
Plow blade 1500mm	04.300
UTV front mount push tubes	20.7400
UTV front mount adapters see page 18	
Hydraulic power unit	71.0000
Hydraulic dump / tilting kit	71.10200
Hydraulic cylinder including hoses	71.3100
Model specific lifting cylinder adapter see pages 120–128)	

Hydraulic hose extension	Code
Hose extension 3500mm	71.100





2-IN-1 MODULAR PLOW BUCKET

An effective multi-purpose piece of equipment that can be used for cleaning, planing and handling. The modular plow bucket combines a **LOADER** and **PLOW** in one. This means that when the bucket module is removed, the loader base becomes a plow suitable for pushing work. The advantage of this equipment is the openable base of the bucket that allows it to be emptied in a raised position. Emptying the bucket can be done by either tilting a lever by the driver's seat or hydraulically with a hydraulic cylinder (among its accessories).

The installation requires a model-based front mounting system adapter attached to the ATV (see adapters on pages 120–128 and front winch (with a strong wire, rope or lifting strap) that assists the raising and lowering of the bucket.

- Bucket working width 1 280 mm
- Bucket capacity 108 litres
- Bucket load capacity 50 kg
- Plow working width 1 280mm (with extenders 1 600 mm)
- Plow working height 360 mm
- Obstacle dampening with springs
- Skid shoes to adjust working height
- Special ball locking, quick coupling pins
- 5 positions of adjustable, plow-working positions
- The working angle and length of the tilting lever are adjustable according to the vehicle



2-1 Modular plow bucket (manual)	Code
2-1 Modular plow bucket	20.7600
Front-mount push tubes	20.6200 / 20.6400
Front-mount adapter see pages 120-128.	

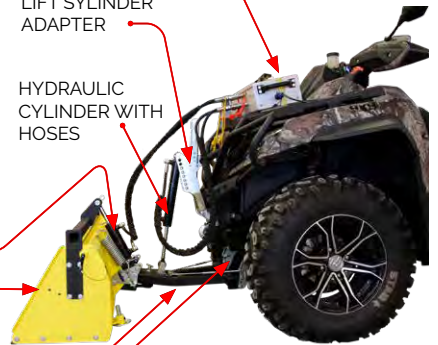
2-1 MODULAR PLOW BUCKET



2-1 Modular plow bucket (hydraulic)	Code
2-1 Modular plow bucket	20.7600
Front-mount push tubes	20.6200 / 20.6400
Front-mount adapter see pages 120-128.	
Hydraulic dump kit	20.7650
Hydraulic power unit	71.0000
Hydraulic cylinder with hoses	71.3100
Front-mount adapter see pages 120-128.	

HYDRAULIC DUMP KIT
 2-1 MODULAR PLOW BUCKET
 FRONT-MOUNT PUSH TUBES
 FRONT-MOUNT ADAPTER

HYDRAULIC POWER UNIT
 LIFT CYLINDER ADAPTER
 HYDRAULIC CYLINDER WITH HOSES



Accessories	Code
Side extensions (2x160mm)	20.7660
Rubber blades 2180mm	20.6510
Plow lift strap kit for a winch	14.11300





SAND SPREADER G2-500 PRO

The towable, larger, increased capacity G2-500 PRO sand, salt and gravel spreader is a practical and economical piece of equipment suitable for winter maintenance of yards, walking paths and driveways. The spreader shaft is driven by a mechanical transmission from the spreader wheels. The wheels are equipped with clutches that allow driving without spreading, if necessary.

- Working (spread) width 1028mm
- Wheel transmission
- Adjustable spread rate
- Shaft for breaking and mixing bulk material
- For bulk materials (sand, gravel, salt) with a fraction up to 8mm
- Hub locks for adjusting the working and transport position
- Durable 8mm thick natural rubber parts.



Product	Code
Sand spreader G2-500 PRO	52.5000
Accessories	Code
PVC Cover	52.5100
Towing eye 360 degree turning for pin type hitch	22.050S
Spare parts	Code
Rubber band front	52.5029
Rubber band rear	52.5030
Wheel clutch lock	OT.51.01.010





UNIVERSAL SPREADER / SEEDER

Universal spreader with simple construction is an effective tool for winter slippery roads control or summer agricultural work. Suitable for spreading sand, salt, seeds, feed, fertilizer and other materials. With the supplied mounting accessories, the spreader can be mounted on the luggage rack of the vehicle or into a 50mm (2") hitch receiver.

- Capacity 57L
- Working width (spread width) up to 9 meters
- Adjustable spread rate
- 12V DC motor, power cable (2.7m) with switch

Product	Code
Universal spreader	52.4000





ROTARY BROOM

The rotary broom is an efficient tool for removing snow, fallen leaves, sand, debris etc., from roads, streets, walking paths and squares. The broom, that functions with a petrol motor, has a shaft fitted with replaceable polyurethane brush discs which, while rotating, will successfully clean different surfaces. The broom has two supporting wheels which, depending on the work conditions, can be installed in front of, to the sides of or to the rear of the broom. Front mounting the support wheels allows for the easy cleaning of pavement edges, and side mounting assists the brushes in plowing the surface. The supporting wheels also regulate the working height. The work and transport position are adjustable with the front winch of the vehicle. The broom is mounted to the vehicle via model specific mid mount adapter.

Product	Code
Rotary broom 6,5hp (Briggs&Stratton)	48.0000
Accessories	Code
Collector box for rotary broom	48.1000
Extended push tube for tracks fitted ATV	04.700S
Spare parts	Code
Brush discs D450 (43pcs), set	48,500
* Model specific mid-mount adapter required for installation, see pages 120–128	

- Working width 1270mm
- Rotation speed 250-450 rpm
- Replaceable polypropylene bristles (450mm diameter)
- Adjustable working angle in 5 different positions
- Adjustable support wheel position
- Transport and working position adjustable with vehicle winch
- Adjustable working height







SNOW BLOWER

A snow blower is the most efficient tool for snow removal. It is possible, with a blower, to move snow many metres away with very little effort, best suited for Nordic and also mountains areas with larger amounts of snow. It is best suited for the winter maintenance of roads and squares.

Iron Baltic snow blowers range varies between different working widths and engine options. Low powered (14hp) versions are designed foremost for lighter snow removal works. We recommend using snow blowers with a stronger engine (18hp) for the removal of thicker layers of snow and the wet snow.

The universal adjustable telescope coupling frame allows for the quick and easy attachment of the snow blower to most ATVs or UTVs that have rear ball type hitch fitted. The coupling frame is attached to the rear towing hook and to front suspension arms via tension adjustable chains. The installation time, depending on vehicle and experience could be as less as 5 minutes.

An ATV front winch (min 1500lbs) and towing hook are required for installation!

- Working width 1250mm / 1800mm
- Working height 500mm
- Ejection distance approx. 15 meters
- Electric motor adjustment the ejection tube via on board control panel
- Telescopic mounting frame adjustable to machine length
- Transport position and working position (adjustable with ATV winch)
- Safety bolts to prevent damages from obstructions



SNOW BLOWER 1250MM (ATV)

Product	Code
Snow blower 1250mm 14hp (B&S 2100 series) electric starter	30.3000A
Snow blower 1250mm 18hp with electric starter (B&S V-Twin Vanguard)	30.2000A
Accessories	Code
Snow blower extensions (working width +200mm / working height +100mm)	30.100
Mounting tube, long (6x6 models)	30.10101
Spare parts	Code
Safety bolts	30.0001S
V-Belt B55	OT.18.00.023



SNOW BLOWER 1800MM (UTV / 6X6)

Product	Code
Snow blower 1800mm 18hp width electric starter (B&S V-Twin Vanguard)	30.10000A
Spare parts	Code
Safety bolts	30.0001S
V-Belt B55	OT.18.00.023





SNOW ROLLER / SKI TRACK GROOMER

Snow rollers help to prepare ski and hiking trails by compressing snow. Suitable to use with ATV/UTV (with snow tracks on recommended), snowmobile or a tractor.

Our product range includes snow rollers in two sizes.

Wider groomer / snow roller with working width of 2.7 meters is ideal for making freestyle ski tracks. In addition, up to 2 track setters can be mounted behind this to cut the classic style ski tracks.

The narrower, 1.45 meter working width snow roller, is an excellent choice for tighter conditions, e.g between the trees. This roller can be fitted with 1 track setter, allowing you to create classic style ski tracks. In addition to ski trails, this narrower roller is also perfect for packing snow to make hiking / walking trails or fatbike trails.

Both types of ski track groomers can be equipped with an adjustable ice blade module to help maintain frozen ski tracks.

Product	Code
Snow roller / Ski track groomer 2,7m	475000
Ski track setter module (1pc	475200
Ice blade module (wide roller)	475300

Product	Code
Snow roller / Ski track groomer 1,45m	476000
Ski track setter module (1pc)	475200
Ice blade module (narrow roller)	476200



SNOW ROLLER

Working width 2.7 meters (snow roller drum width 2.3 meters) or working width 1.45 meters (snow roller drum width 1.05m)

Drum diameter 680 mm

Adjustable drawbar height

Adjustable in between transport and working position

The set includes a hitch coupler for a 50 mm hitchball and a swivel eyelet for a pin type connection.



CLASSIC STYLE SKI TRACK SETTER MODULE

Adjustable in between transport and working position

Track cutting width is adjustable 190 mm / 270 mm / 290 mm

Track cutting depth is adjustable 30 mm / 40 mm / 50 mm



ICE BLADE MODULE

Ice blade with adjustable cutting depth for ski track maintenance.

Strong, specially designed ice blades for cutting and breaking frozen track before rolling new ski track



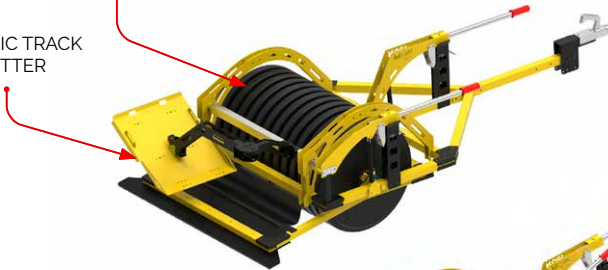


SNOW ROLLER 1.45 M



SNOW ROLLER 1.45 M

CLASSIC TRACK SETTER



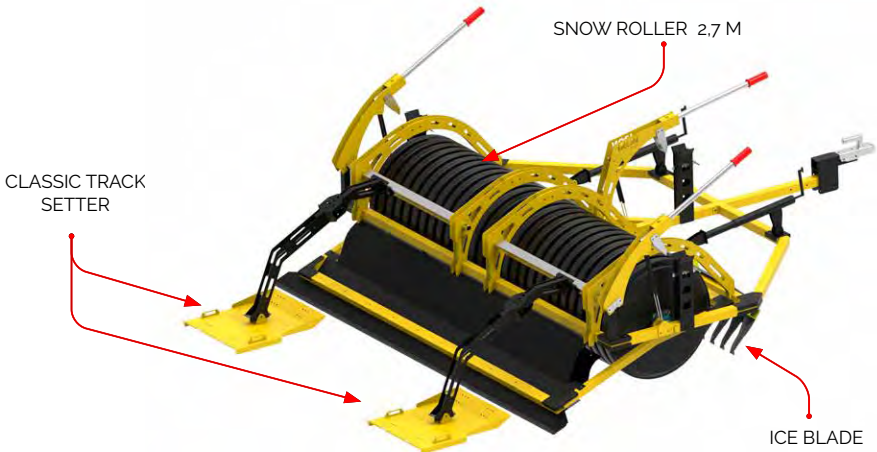
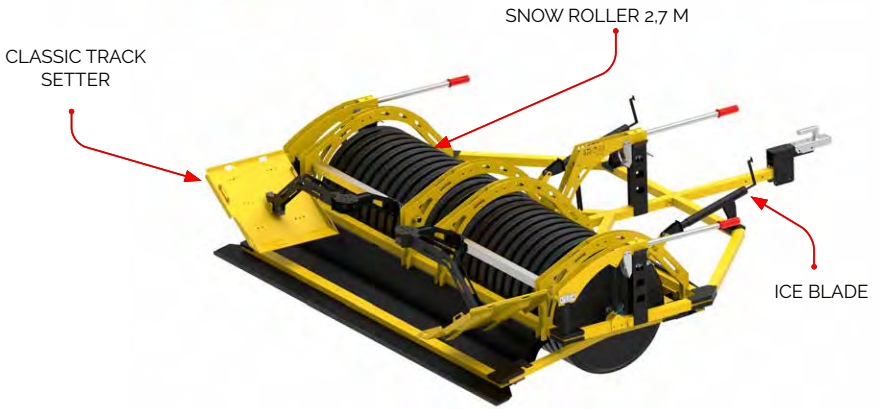
SNOW ROLLER 1.45 M

CLASSIC TRACK SETTER



ICE BLADE





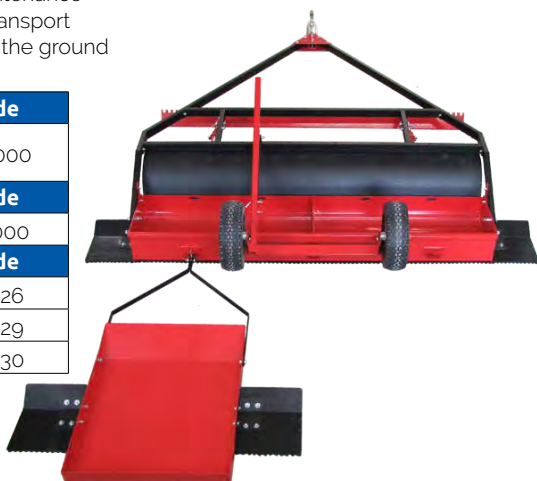


SKI TRACK MAKER

The ski track maker is suitable for preparing and maintaining ski tracks. It is suitable for coupling the ATV and UTV (with snow tracks fitted recommended) or snowmobile. It is possible to prepare a 2.3-metre-wide freestyle track by compressing the snow with the ski track maker, a classic style track can be made by fitting an additional classic track setter to the rear of the ski track maker unit.

- Working width 2300mm
- Classic track width 230mm
- 3 positions to fit the classic track setter (sides and center)
- Possible to add ballast weight (sandbags, etc.) on classic track setter for more efficient compression of snow
- Easily adjustable ice blade for ski trail maintenance
- Support wheels for transport position. In transport position the device is lifted 200mm above the ground

Product	Code
Ski track maker (includes classic track setter 1pc)	47.0000
Accessories	Code
Classic track setter	47.1000
Spare parts	Code
Middle plastic blade	47.026
Left plastic blade	47.029
Right plastic blade	47.030





CLASSIC TRACK SETTER

The classic track setter is a simple construction design, reliable product for preparing classic ski tracks. It can be coupled an ATV, UTV, snowmobile or a small tractor. Possible to add ballast weight (sandbags, etc.) on classic track setter for more efficient compression of snow.

- Working width 1100mm
- Classic track width 230mm
- Adjustable tow bar length
- Set includes coupling for a 50mm ball hitch and towing eyelet for a pin type hitch.

Product	Code
Classic track setter	472000
Spare parts	Code
Left plastic blade	47.029
Right plastic blade	47.030





CARGO SLED

The cargo sled is a well-constructed sled with a large base bed area suitable for transporting large, bulky and heavy loads. The sled is made of 8mm thick PE-HWU plastic, which is light, UV resistant, slippery and durable even at temperatures as low as -50C.

- Length 2900mm
- Width 1200mm
- Height 200mm
- Eyelets for securing the load
- Anti-slip guides
- Set includes coupling for a 50mm ball hitch and towing eyelet for a pin type hitch connection

Product	Code
Cargo sled	22.000





SKI SLED

A ski sled is a sled intended to use coupled with an ATV, UTV, snowmobile or a small tractor. The sled has a galvanised, powder coated steel construction frame and a humidity-resistant plywood platform ensuring durability even in damp winter conditions. High clearance, special wavy ski profile, plastic sliding surface and spring suspension ensure good pastability and stability. It features removable spacers and platform guards for fastening and transporting different goods.

- Platform dimensions 800 x 2250mm
- Platform height 300mm off the ground
- Ski dimensions 180 x 1750mm (2 skis)
- Galvanized and powder coated steel construction
- Waterproof plywood platform
- Spring shock absorbers on skis
- Plastic ski slides
- Removable struts
- Load restraint guards
- Set includes coupling for a 50mm ball hitch and towing eyelet for a pin type hitch connection



Product	Code
Ski sled	41.0000
Spare parts	Code
Ski kit	41.1000
Shock absorber	41.007



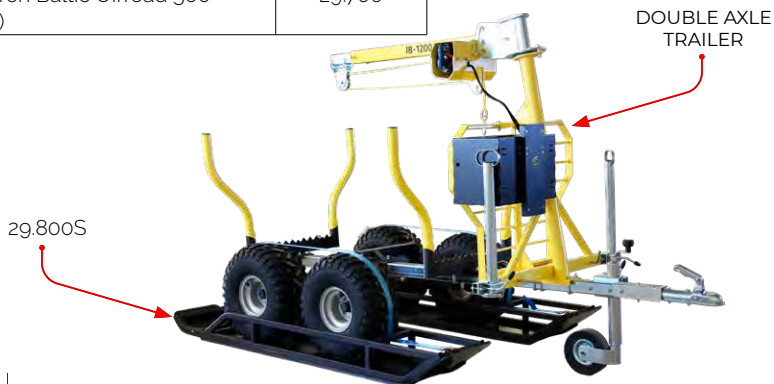
TRAILER SKIS

Trailer skis make it easy to convert your trailer into a snow sled. Suitable for installation on trailers with a wheel width of 150 – 260 mm. Strong steel construction, plastic sliding surfaces and easy installation with fastening straps.

- Length 1450 / 2150 mm
- Width 330 mm
- Height 190 mm
- Plastic guides to prevent side sliding
- Fastening straps for fitting skis
- Suitable for road and off-road tires (wheel width 150 - 260 mm)



Product	Code
Trailer skis for single axle trailer	29.900S
Trailer skis for double axle trailer	29.800S
Trailer skis for Iron Baltic Offroad 500 trailer (8g.1000)	29.700



SINGLE AXEL TRAILER



TRAILER OFFROAD 500



TRAILER OFFROAD 500





TRAILER IB-165

The IB-165 Offroad trailer is a platform trailer to use with small tractors and off-road vehicles. The trailer's wide, high clearance off-road style tyres ensure good off-road passage and capability. The tiltable cargo box with completely removable side boards allows the platform trailer to be used for transporting bulk spread or heating materials (e.g. firewood), pallets and boxes etc. Available additionally are gas spring, hydraulic and electro-hydraulic as tilting accessories, and the cargo box board extenders and PVC cover.

TRAILER IB-165 OFFROAD

Product	Code
Trailer IB-165 OFFROAD	74.1100
Accessories	Code
Swivel hitch	23.1120
Adjustable support leg	61.3000
Cargo box extensions (+310mm)	74.2000
Waterproof PVC cover	74.3000
Gas spring	74.4000
Electro-hydraulic lift kit	70.8000

- Load capacity 500kg
- Track width 960mm
- Off-road tires 22x11-8 "60F
- Manual tilting of the cargo box
- Removable front, rear and side hatches
- Moisture resistant plywood bottom platform
- Cargo box dimensions 1197 x 348 x 1605mm
- Tie down anchors for cargo straps





TRAILER IB-165 EU STREET LEGAL (R1A)

Product	Code
Trailer IB-165 EU STREET LEGAL (R1A)	74.1000
Accessories	Code
Cargo box extensions (+310mm)	74.2000
Waterproof PVC cover	74.3000
Gas spring	74.4000
Electro-hydraulic lift kit	70.8000

- Load capacity 500kg
- Track width 960mm
- Off-road style tires 22x11-8 "60F
- Swivel hitch coupler
- Adjustable support leg
- Manual tilting of the transport box
- Removable front, rear and side hatches
- Moisture resistant plywood bottom platform
- Cargo box dimensions 1197 x 348 x 1605mm
- Tie down anchors for cargo straps
- Taillights (including turn signals / indicators, stop lights, license plate lights)
- Standard 7-pin connector for powering the trailer lights





TRAILER OFFROAD 500

Offroad 500 is a simple solidly constructed trailer for household use. The tiltable cargo box allows for the transportation of leaves, soil, firewood, waste etc. After removing the front and rear panels, logs up to 2.5 meters in length can also be successfully transported. Height extenders, PVC covers, and various tilting solutions for the cargo box can be attached as accessories.

- Load capacity 500 kg
- Off-road tires 22x11-8"
- Tiltable cargo box
- Removable front and rear panels
- Removable cargo box height extenders (optional accessory)
- Cargo box dimensions 1 500 x 1 100 x 550 mm

Product	Code
Trailer Offroad 500	89.1000
Trailer Offroad 500 with lights	89.1100
Accessories	Code
Lights kit	86.6100
Cargo box extensions (+300mm)	89.2000
Gas spring	89.3000
Electrohydraulic tilt kit	89.4000
Waterproof PVC Cover	89.6000
Adjustable support leg	61.3000



WATERPROOF
PVC COVER

CARGO BOX
EXTENSIONS

TRAILER
OFFROAD 500



TRAILER
OFFROAD 500

LIGHTS KIT



ADJUSTABLE
SUPPORT LEG



GAS SPRING



ELECTROHYDRAULIC
TILT KIT



TRAILER OFFROAD PRO 1200

Offroad PRO 1200 is a solidly constructed trailer for larger capacity household work. A compact solution, tandem axle and wide terrain tires ensure good terrain passage and allows for access to places that are typically inaccessible with larger gauge equipment. The 1 400 L capacity cargo box with removable height extenders can be used to transport loads up to a weight of 1 200 kg. After removing the front and rear panels, it is possible to also transport logs successfully up to 3 meters in length.

A tilting crane for the cargo box that can be operated with a manual or electrical winch is available as an accessory.

- Load capacity 1 200kg
- Off-road tires 22x11-8"
- 360° swivel hitch coupler
- Adjustable supporting wheel
- Tiltable cargo area
- Removable front and rear panels
- Removable cargo box height extenders (optional accessory)
- Cargo box dimensions 2 000 x 1 100 x 520 mm (820mm)





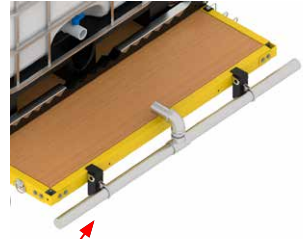
FLATBED DUMP TRAILER FD-1200

High load capacity (1200kg) flatbed dump trailer FD-1200 is designed to be used with small tractors and off-road vehicles (ATVs / UTVs). Thanks to its tandem axle construction, increased ground clearance and wider all-terrain tires, it allows access also through a rough terrain and off the roads. The flat bed cargo box, lifted by optional crane with winch, with completely removable side boards, allows it to use for transporting bulk spread or heating materials (e.g. firewood), pallets and boxes etc. Side-board extensions and water tank option can be installed as additional accessories.

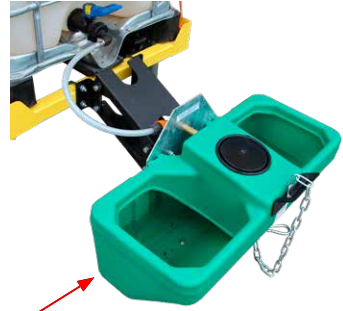
- Load capacity 1200kg
- Flatbed dimensions 2080 x 1320 mm (82 x 52 in)
- Track width 1030mm
- Tandem axle with four wheels
- All-Terrain tires 22x11-8"
- 360° Swivel hitch coupler
- Adjustable support legs
- Tiltable cargo box
- Easily removable front, back, and side hatches.
- Weather proof plywood flatbed
-



Product	Code
Flatbed Dump Trailer FD-1200	86.11000
Accessories	Code
Lifting crane	23.4000
Electric winch package	06.000
Manual winch	OT.13.01.010
Flatbed side extensions (+350mm)	86.5200
PVC cover (FT-1200)	86.5400
Water tank installation module / Load Bolsters	86.5300
Water tank 1000L (IBC container)	38.2000
Watering pipe 1400mm	91.1030
Drinking trough 55L	91.1020



WATERING PIPE 1400MM



DRINKING TROUGH 55L

WATER TANK 1000L (IBC CONTAINER)



WATER TANK INSTALLATION MODULE

FLATBED SIDE EXTENSIONS



PVC COVER

LIFTING CRANE

ELECTRIC WINCH PACKAGE

FLATBED DUMP TRAILER



PALLET / TANK TRAILER

A multipurpose trailer designed for all-terrain vehicles and small tractors. A pallet to transport various load or a 600 liter IBC container to transport drinking water, irrigation pipe water or other liquids can be placed and fixed to the trailer frame (800 x 600mm). Watering pipe and drinking troughs for animals can be installed as accessories.

- Load capacity 600kg
- Adjustable support leg
- Adjustable support wheel
- All-Terrain tires 22x11-8"
- Tie-down anchors for ratchet straps

Product	Code
Pallet / Tank trailer	91.1000
Accessories	Code
Water tank 600L (IBC konteiner)	91.2000
Watering pipe 1400mm	91.1030
Drinking trough 55L	91.1020







FLAIL MOWER

A sturdily constructed, towable flail mower for mowing large lawns, meadows or roadsides. Mowers with different engine versions are available, depending on expected work conditions. Lower powered 14hp version are foremost meant for mowing smaller areas and shorter grass on regularly maintained fields and areas. We recommend mowers with larger V2 gasoline engines for larger areas, thicker and wilder grass and uneven surfaces. The mowers are fitted with Y-blades intended for mowing / rough cutting the thicker wilder grass by default. Hammer blades are available as an accessory and are suitable for mowing regularly maintained grounds with shorter grass.

- Working width 1150mm
- Cutting height 0–120mm
- Operating speed 2–10 km / h
- Easy to adjust cutting height
- Adjustable working position (behind the vehicle or offside to the sideways)
- Anti scalp rear roller to prevent cutting blades penetrating into ground on uneven surfaces
- Y blades for thicker grass or hammer blades for lawn mowing



Product	Code
Flail mower 14hp (B&S XR2100)	27.4000
Flail mower 18hp (B&S V-Twin Vanguard, HEAVY DUTY)	27.3000
Flail mower 18hp (B&S V-Twin Vanguard with electric starter, HEAVY DUTY)	27.5000



Spare parts	Code
Y blades (Complete set) (56 blades, bolts, nuts, washers, bushes)	27.026
Hammer blades (Complete set) (28 blades, bolts, nuts, washers, bushes)	27.027
Y-blade, 1 pc	27.001
Hammer blade, 1 pc	27.002
Centrifugal clutch 1", set ECO	27.003
Centrifugal clutch 25mm, set ECO	27.003B
Centrifugal clutch 1" HEAVY DUTY	27.003HD
Hammasrihm BX41,5 Li1060	27.013A
Belt tensioner wheel, set	27.006
Wheel & Tyre 16.5x6.5, 1pc	27.008
Bearings for rotor UC207 RH/LH with housing, set	27.012
Bearing set for rear roller UC205 with housing, set	27.019
Tension spring, 1pc	27.020
Axle sleeve, 1pc	27.021
Wheel holder, 1pc	27.007
Stone guards, set	27.009
Height adjust handle, set	27.010
Hub cap, 1pc	27.015
Plastic cap (wheel protection tube), 1pc	27.030





BALE TRAILER

The compact design of the hay bale trailer and wide off-road tyres ensure good passage, off-road capability, for smaller jobs around the property, allowing the fast and easy transportation the bales of hay from fields to a storage or direct to animal stables, barns and feeding places. Trailer makes no notable damage to the terrain of fields and is easily maneuverable between trees, over ditches, through narrow or low doorways and in tight indoor spaces allowing access to places outside the reach of larger rigs. The trailer can be pulled by all vehicles fitted with a 50mm/2" hitch ball. The trailer can also be pulled by a lawn tractor or other pin connection vehicles when fitted with a coupling eye (22.050S) provided as an accessory.

- Load capacity 500kg
- The maximum diameter of the roll is 1200 mm
- All-terrain tires 22x11-8"

Product	Code
Bale trailer	43.0000
Accessories	Code
Electric winch package	06.000
Towing eye 360 degree turning for pin type hitch	22.050S





SILO & HAY BALE TRAILER

Trailer for transporting rolled silage and hay. Strong construction, tandem axle and wide terrain tires ensure a large load capacity and good terrain passage to allow for fast transportation of bales to barns, stables or feeding areas. Loading of the silage bales can be done with the assistance of lifting grips and raised with an electric winch.

- Load capacity 1000 kg
- Maximum bale diameter 1 500mm (60 inches)
- Off-road tires 22x11-8"
- 360° swivel hitch coupler
- Loading/unloading of bales with electric winch (2500 lbs)
- Automatic locking system
- Belt to fasten bales

Product	Code
Silo & Hay bay trailer	85.1000
Spare parts	Code
Electric winch package	85.1050
Silo roller strap	OT.37.01.011





SWEEPER COLLECTOR

Sweeper Collector is an easy to use paddock cleaner, the perfect tool to keep the paddocks free of horse droppings but also great to clean/collect the dead grass, leaves, woodchips or cut grass. Sweeper brushes/bristles have grooming effect on the grass surface, keeping the grass fresh and healthy looking.

The sweeper is powered by an efficient 6.5hp Vanguard engine, rotary broom is fitted with durable OMNILINE polypropylene brushes/bristles, designed to operate in all different kind of cleaning conditions. Large capacity roll-over hopper collects up to 0.75m³ of material (220kg max load) and is very easy to empty with the aid of the winch, after which the well-balanced hopper returns into a working position automatically itself. Adjustable height spring tines rake helps to pre-loosen and spread the hardened/dry droppings etc. before the collection by the brushes to ensure clean result after. Working height of the brushes is manually adjustable by default but the electric-hydraulic working height adjuster is also available as an option, allowing comfortable adjustments when operating the tool without leaving the seat. Sweeper/collector tool is an ideal product for private horse owners and small animal farms and zoos, equestrian centers, horse riding schools as well as the public area (parks, city streets, etc.) maintenance and facility management companies.

Sweeper Collector is a tow behind tool that installs to an ATV, UTV or any other vehicle with 50mm (2") ball type hitch fitted, makes the cleaning of large areas like paddocks, parking lots or parks quick and easy.

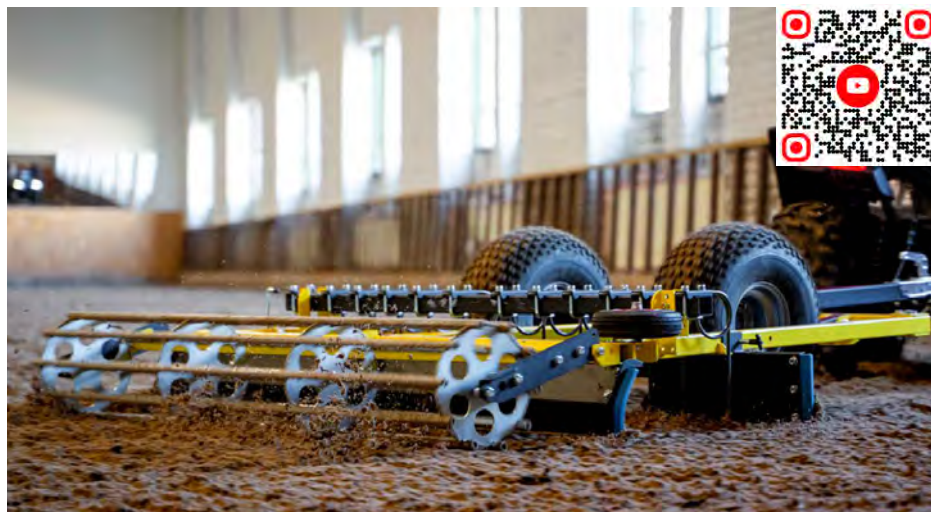




- Capacity (collector) 0.75m³ / max 220kg
- Working width 1200mm
- B&S Vanguard 6,5hp engine
- Replaceable OMNILINE polypropylene bristles
- Spring tine rake before the brushes to pre-loosen bigger pieces or hardened material for easier collecting
- Height adjustment with manual lifting mechanism or electro-hydraulic cylinder (optional)

Product	Code
Sweeper collector	78.0000
Accessories	Code
Electro-hydraulic cylinder	70.2800
Spare parts	Code
Brush strip 1200m (1 broom contains 4 brush strips)	OT.22.03.010





RIDING ARENA LEVELER

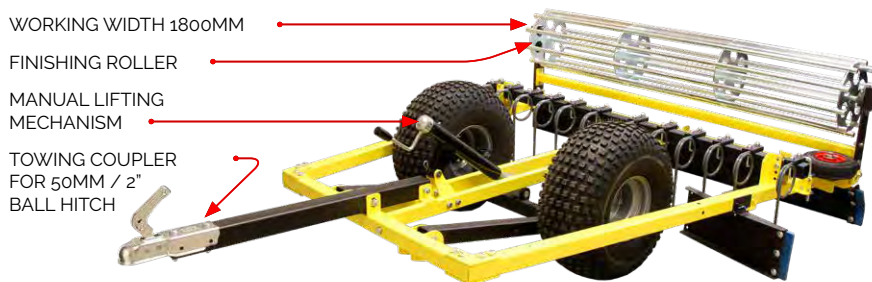
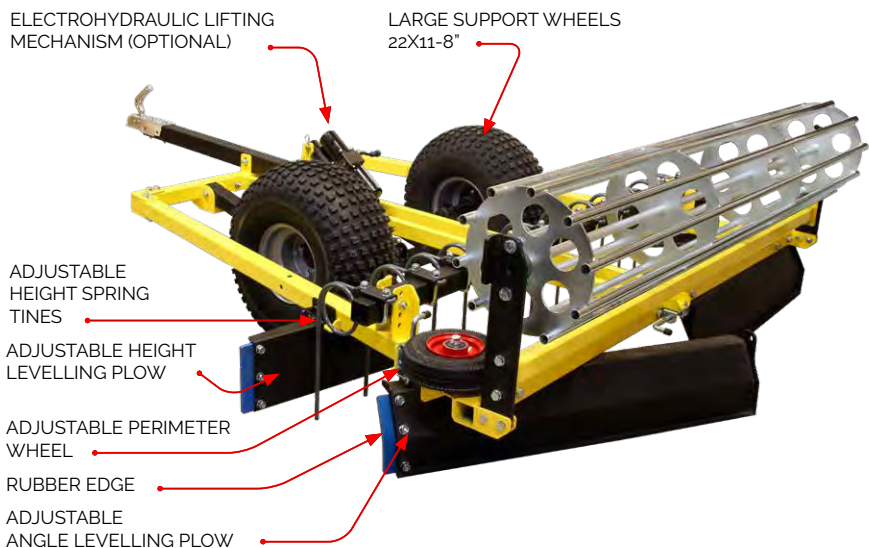
The riding arena plow is intended for leveling and hoeing riding areas. The plow has spring spikes with an adjustable working height for surface hoeing. Adjusting the working angle of the side and rear plow blades allows for the surface at the edges of the riding arena to be shifted back to the middle. There are rubber edges and an adjustable perimeter wheel to protect the walls of a riding arena. The finishing roller compacts the soil, giving it a lovely, polished look.

The riding arena leveller can be towed by all vehicles equipped with a 50 mm/2" ball hitch unit and with a towing eyelet (22. 050S) installed as an optional accessory. The trailer can be also towed by hitching it to other vehicles equipped with a coupling device.

Setting the transportation position and operating depth is done with a manual lifting mechanism or a 12V electrohydraulic cylinder installed as an accessory.



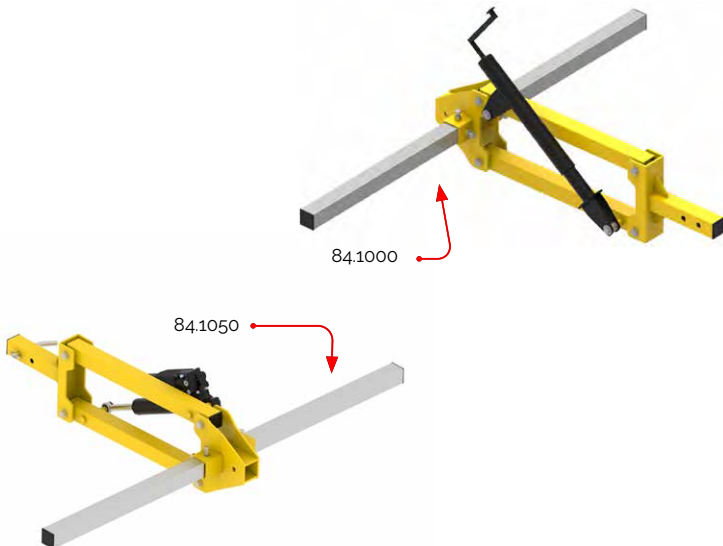
Product	Code
Riding arena leveler	88.1000
Accessories	Code
Towing eye 360 degree turning pin type hitch	22.050S
Electrohydraulic motion kit	70.2800
Cylinder extension cable 1.2m	70.2750
Power extension cable 3m	70.2700





RECEIVER MOUNT SYSTEM

The receiver mount system is a device mounted into a 2" receiver that different tools can be attached to for soil preparation, cleaning, or landscaping work. Setting the transportation position and work depth is done with a manual lifting mechanism or 12V electrohydraulic cylinder. The receiver mount system is suitable for use with UTVs or in ATV 2" (50mm) receiver couplings.





Product	Code
Receiver mount system (manual)	84.1000
Receiver mount system (electric)	84.1050
Attachment	Code
Disc harrow	84.2000
Rear plow	84.3000
Cultivator	84.4000
Landscape rake	84.5000
Tine dethatcher	84.6000
Drag harrow	84.7000
Two bottom plow	84.9000
Single bottom plow	84.10000
Potato digger	84.11000
Push broom	84.12000
Equipment box	84.13000
Log support	84.14000
Land roller	84.15000
Reel holder	84.16000
Rake	84.18000
Plug aerator	84.19000
Accessories / Parts	Code
Electrohydraulic cylinder	70.2800
Hydraulic Power Unit	71.0000
Hydraulic cylinder 250/1400	71.3100

When using a receiver mount system with a softer suspension vehicles, we recommend to additionally use the suspension lock (14.11600, page 107) or shock absorber locking (14.12200, page 107).

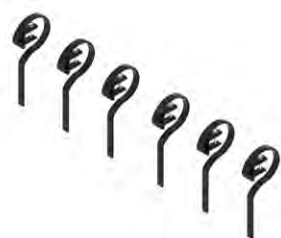
Disc harrow to break up hard soil, dry grass and turf, chop weeds or other soil preparation work.

Working width 1 400 mm (adjustable)
 Spherical discs Ø 365 mm
 Adjustable disc operating angle from -30° to 30°



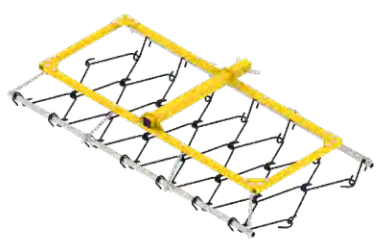
Cultivator for weed removal or mixing soil prior to planting.

Working width 1 450 mm



Drag harrow for surface planning, soil tilling, smoothing and breaking up larger chunks of soil and readying the surface for seed sowing.

Working width 1 500 mm
 Working depth 100 mm



A single bottom plow for plowing fields. By using this, soil is rotated to bring fresh nutrients to the surface while simultaneously burying weeds and previous crop residue in preparation for new sowing and planting.



A two bottom plow or earthing plow for ridging and earthing work.



A potato plow for digging up potatoes. The potato digging plow has metal rods that the soil passes through while the potatoes remain on the surface.



Landscape rake for soil preparation work, surface planing or field maintenance/cleaning.

Working width 1 450 mm
Working height 350 mm



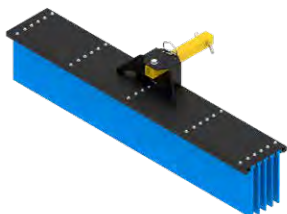
Rear plow for surface planing or cleaning waste, leaves, snow etc., from different areas.

Working width 1 450 mm
Working height 300 mm
Working angle adjustable from -16° to 16°



Push broom to clean driveways, sidewalks, parking areas, squares, warehouses, barns etc., of waste, leaves, snow etc.

Working width 1 500 mm
Working height 250mm
Working angle adjustable from -20 ° to 20°



The rake is an effective tool for clearing hay, leaves, branches and other debris.

Working width 1500 mm



Tine Dethatcher is used to remove moss in lawn maintenance. Helps improve air circulation, promotes grass growth and gives the lawn a more aesthetic look.

Working width 1500 mm



An plug aerator is a tool that creates holes in the surface of the soil, allowing air, water and fertilizers to reach the roots better, helping the lawn to grow.

Working width 1250 mm



The real holder is a tool for carrying rolls of wire or twine when building fences. Suitable for up to 4 rolls (maximum diameter 300mm / width 270mm).



Land roller for landscaping and agricultural work.

Diameter 310mm
Working width 1350 mm



Log support is a tool for holding logs for cutting or hauling wood out of the forest. We recommend to use a suspension lock (14.11600, page 107) or a shock absorber lock (14.12200, page 107) using this product.



Equipment box with a capacity of 70L (1430 x 400 x 170mm)
Can be used with a chainsaw holder (# 14.7200, page 95).





DRAG HARROW

A harrow for breaking up soil or planning the surface. It is suitable to use with ATV and UTV off-road vehicles, small tractors or lawn tractors. Cutting or smoothing work position according to to which side down the harrow is pulled.

- Working width 1200mm
- Working depth 100mm
- Wire diameter 12mm
- Cutting or smoothing working position



Product	Code
Drag harrow	59.1000



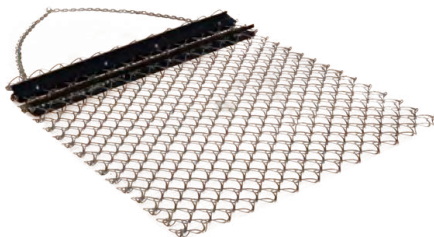


LEVELER

A leveller is a simple steel net piece of equipment for levelling and planning large areas. It is suitable to use with ATV and UTV off-road vehicles, small tractors or lawn tractors. The leveller is suitable for preparing fields, lawns and prior- or post-processing the soil when seed planting. It is also suited for levelling light gravel and sand beds.

- Working width 1500mm
- Frame for mounting extra weight

Product	Code
Leveler	59.2000





FLIP OVER DISC

A disc harrow with a simple and strong construction for breaking up turf and weeds, as well as other soil-improving works. The transportation and working position are switched in between by turning the disc cultivator around. It is possible to add extra weight for ballast (sandbags etc.) to improve work effectiveness / cutting depth of the discs. The disc harrow is suitable to use with ATV and UTV off-road vehicles, small tractors or other vehicles fitted with a 50mm / 2" hitch ball.

- Working width 1500mm
- Working angle of 20 degrees
- Cutting depth 150–180mm
- Adjustable drawbar height (3 positions)
- Spherical discs 460mm in diameter (8 discs)



Product	Code
Flip over disc	511000





LAND ROLLER

Field or land roller to roll fields after plowing as well as compact after sowing or leveling work. The field roller mounted on an ATV coupling is an easy to maneuver and sufficiently light tool ideally suited for leveling small and medium-sized fields after plowing without the vehicle sinking into the ground and creating tracks. The roller can be filled with water to add weight to further compact and create a smooth and even surface.

- Working width 1 500 mm
- Roll diameter 475 mm
- Off-road tires 22x11-8"
- 360° swivel hitch coupler
- Weight 120 kg/380 kg (when filled with water)



Product	Code
Land roller	57.2000
Accessories	Code
Support wheels, pair	57.2050





GRADER / ROAD SCRAPER

A towable road scraper for gravel road levelling and surface planning. Road scraper is equipped with a frame for a 600x800mm pallet on to which a ballast weight can be placed - stones, sandbags etc. The transportation and working height positions are easily adjustable using support wheels. Electric or hydraulic control sets are available as accessories, these allow for the road scraper to be set into the transportation position without leaving the driver's seat.

- Working width 1800mm
- Double-sided toothed blade
- Frame for mounting ballast weight
- Adjusting in between transport and working position via support wheels
- Optional 12V DC electric or hydraulic height adjustment from driver's seat

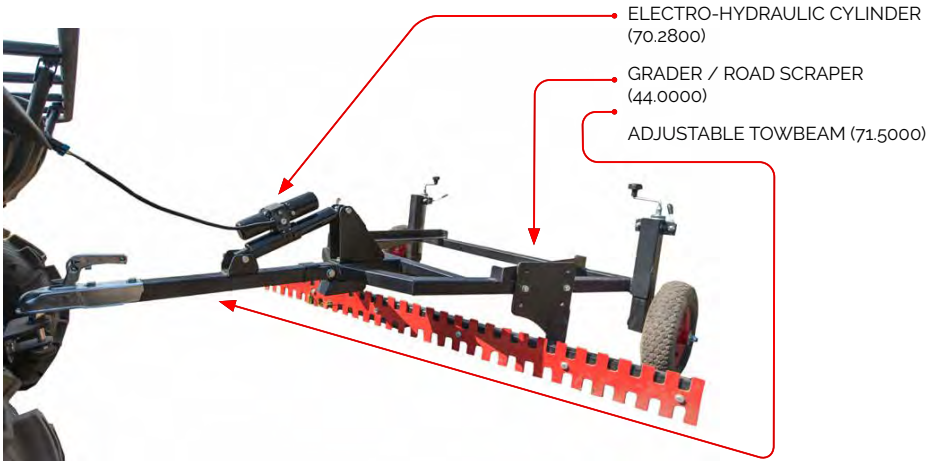
Product	Code
Grader / Road scraper	44.0000
Spare parts	Code
Blade (steel S355, 10 mm)	44.1017
Blade (Hardox 400, 8 mm)	44.1017A



ELECTRO-HYDRAULIC CONTROL

Further information on electro-hydraulic cylinders see pages 102-103.

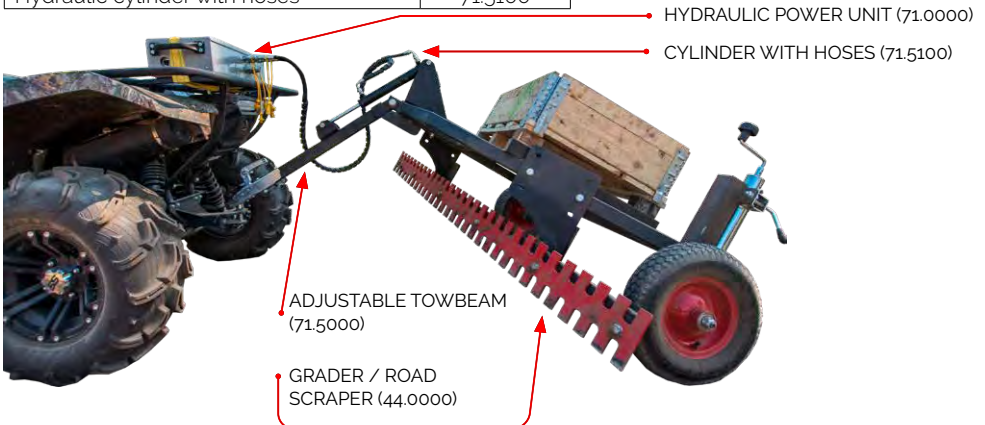
Electric control	Code
Adjustable towbeam	71.5000
Electro-hydraulic cylinder	70.2800
Power cable extensions (3 meters)	70.2700
Cylinder cable extensions (1,2 meters)	70.2750



HYDRAULIC CONTROL

Further information on Hydraulic power unit see pages 100-101.

Hydraulic control	Code
Adjustable towbeam	71.5000
Hydraulic Power Unit	71.0000
Hydraulic cylinder with hoses	71.5100





TIMBER TRAILER IB 1200

IB 1200 is a solidly constructed timber trailer for use with small tractors or off-road vehicles. A compact solution, tandem axle and wide terrain tires ensure good terrain passage, allowing access to places that are typically inaccessible with larger gauge equipment. The adjustable length of the trailer allows logs up to 3 meters long to be transported. The timber trailer has rotatable and easily removable load posts that significantly simplify loading and unloading.

A crane with telescope construction support feet that hold the trailer firmly on the ground can be installed when loading and unloading a larger log to simplify the process. The length and height of the crane boom can be adjusted as required. The IB 1200 uses an electric winch powered by the battery of the vehicle towing it to drag and raise logs.

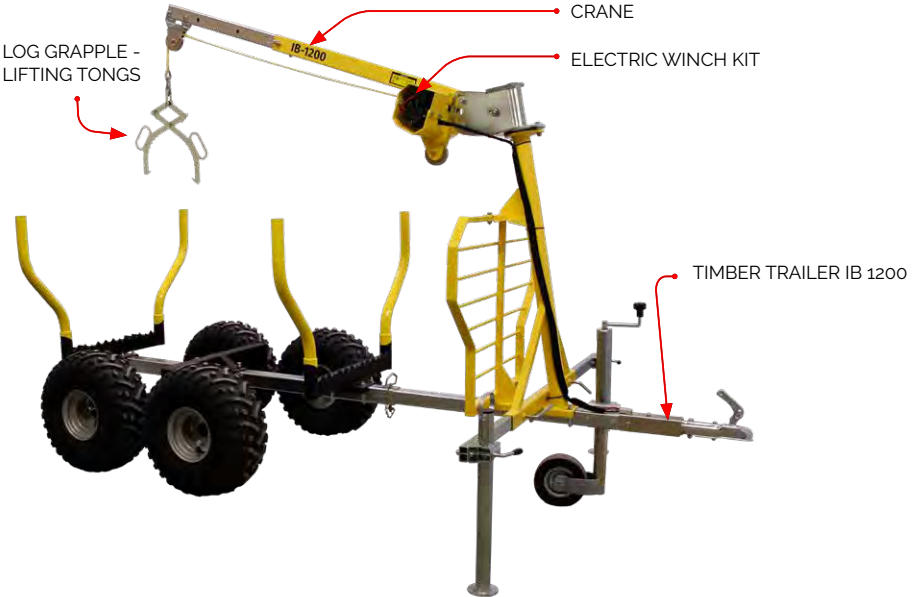
1400 L cargo box with removable extensions available as an option for the timber trailer. Crane with electric winch for tilting the cargo box.

- Load capacity 1 200 kg
- Crane lifting capacity 300 kg
- Tandem axle with four wheels
- Off-road tires 22x11-8"
- 360° swivel hitch coupler
- Adjustable supporting wheel
- Adjustable trailer length
- Rotatable and removable load posts

Product	Code
Timber trailer IB 1200	86.1000
Accessories	Code
Crane	23.3000
Electric winch kit	06.0000
Log Grapple - Lifting Tongs	23.3070



TIMBER TRAILER IB 1200

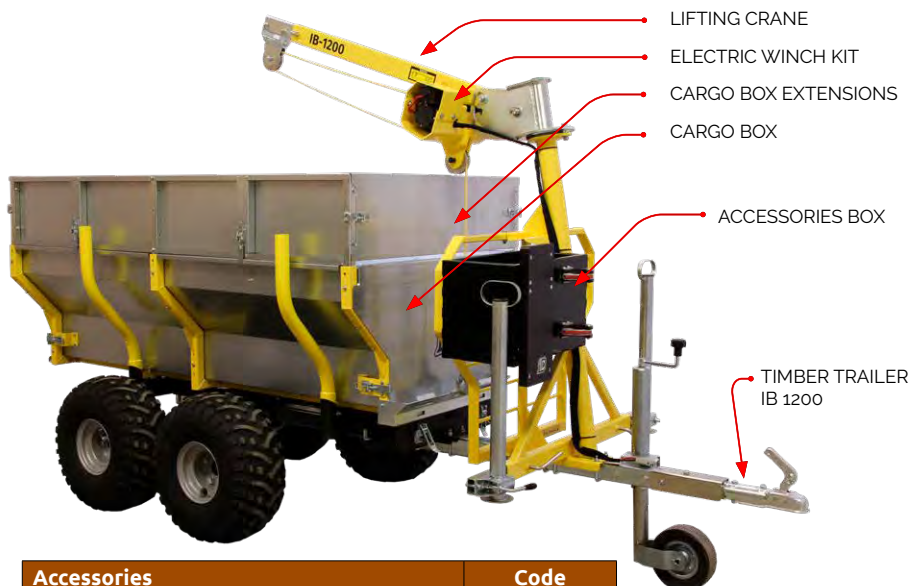
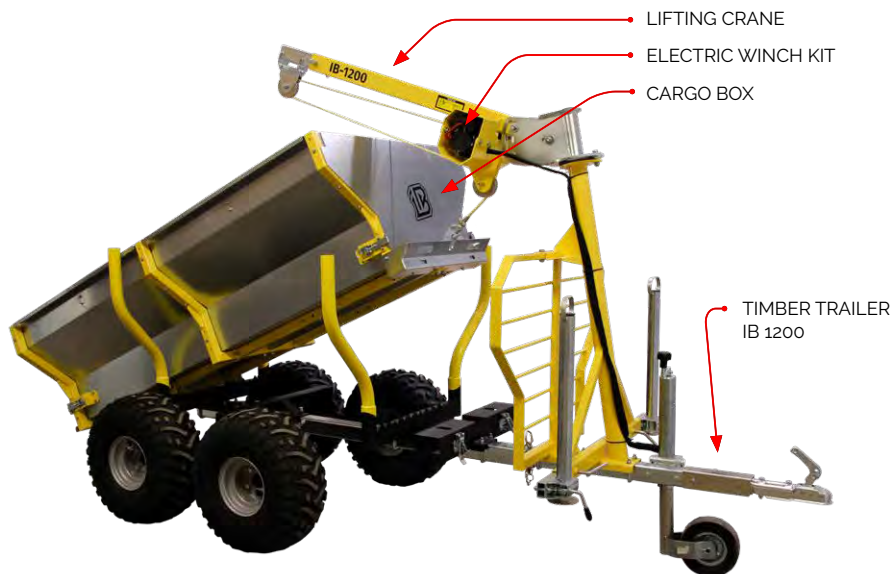


LOG GRAPPLE - LIFTING TONGS

CRANE

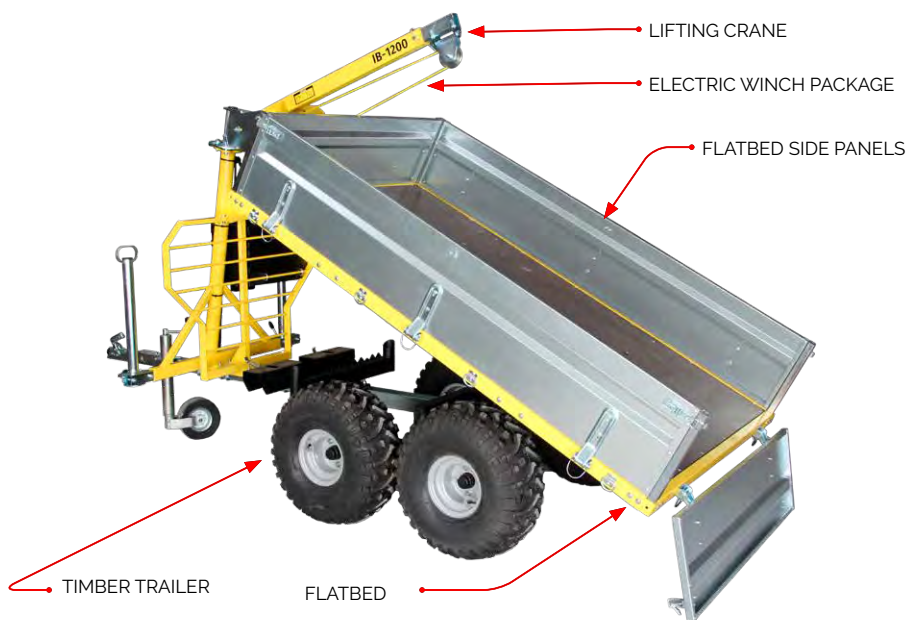
ELECTRIC WINCH KIT

TIMBER TRAILER IB 1200

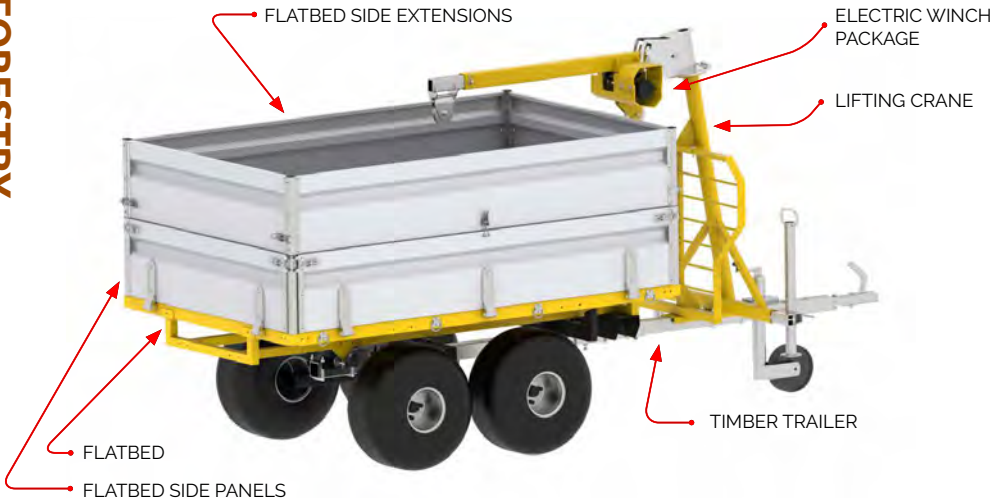


Accessories	Code
Timber trailer IB 1200	86.1000
Accessories	Code
Lifting crane	23.3000
Electric winch package	06.000
Cargo box	86.2000
Cargo box extensions (+300mm)	86.2500





Product	Code
Timber trailer IB 1200	86.1000
Accessories	Code
Lifting crane	23.3000
Electric winch package	06.000
Flatbed (2080x1320mm)	86.5000
Flatbed side panels (350mm)	86.5100



Product	Code
Timber trailer IB 1200	86.1000
Accessories	Code
Lifting crane	23.3000
Electric winch package	06.000
Flatbed (2080x1320mm)	86.5000
Flatbed side panels (350mm)	86.5100
Flatbed side extensions (350mm)	86.5200
Water tank installation module	86.5300
Water tank 1000L (IBC container)	38.2000
Watering pipe (1400mm)	91.1030





ELECTRIC WINCH

Load Capacity 2500lbs (1134kg)
Rope 6,3mm x 12m



LIFTING TONGS / LOG GRAPPLE

Lifting tongs for moving logs up to 350mm in diameter



PVC COVER

Weatherproof cover for the cargo box



LOG BOLSTERS

Additional pair of log bolsters for shorter log transport



ACCESSORIES BOX

Accessory box with a chain saw holder, mounted on the log guard grille



DRINKING TROUGH

BIGLAC 55

Accessories	Code
Electric winch	06.000
Lifting tongs / log grapple	23.3070
Log bolsters	86.1050S
Accessory box with a chain saw holder	86.3000
PVC cover (cargo box)	86.4000
PVC cover (platform)	86.5400
Drinking trough 55L	91.1020



LOG HAULER

The log hauler hitched to an ATV, UTV or any other kind of off-road vehicle forms a light and compact, easy-to-use transportation solution which can be used for hauling long logs out of the woods. It is easy to manoeuvre between trees and pass through wet areas and ditches with it towed behind the off-road vehicle and haul the logs out from areas where access with larger and heavier vehicles is restricted or would be more difficult.

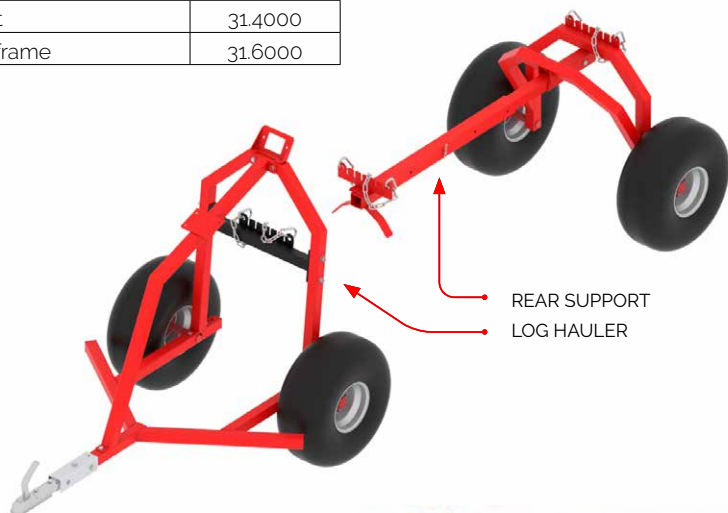
A wheeled rear support allows to lift the rear end of the log so that it can be transported cleanly, without damaging the forest ground with the dragging log and without further damages to the log itself. The logs can be pulled and lifted clean into the hanging position with the choice of either a manual or electrical winch set.

The log hauler set includes a hanging system for transporting logs with a larger diameter. A rotating carrier frame for smaller logs is available as an additional accessory. The carrier frame is for loading the smaller logs, branches, brush etc.

- Load capacity 500kg (1000kg combined capacity with the rear support used)
- Strong, rigid steel square tube frame 50 x 50 x 3 mm construction.
- Maximum log diameter 50 cm / 20"
- Off-road tires 22x11-8"
- 360° swivel hitch
- Hand winch or electric winch option to pull logs out of the forest
- Chains for hanging logs and carabiners for fastening
- Optional rotating carrier frame for transporting smaller logs
- Optional rear support



Product	Code
Log hauler	31.0000
Rear support	31.5000
Accessories	Code
Electric winch kit	06.000
Manual winch kit	31.4000
Rotating carrier frame	31.6000



REAR SUPPORT
LOG HAULER



HAND WINCH

Pull force 725kg
Steel wire 5mm x 10m



ELECTRIC WINCH

Pull force 1134kg
Cord 5mm x 10m



ROTATING CARRIER FRAME

For transporting smaller logs or twigs



LOG SKIDDING PLATE

A log skidder connected to an all-terrain vehicle forms a light, compact and easy-to-use solution for hauling logs out of the forest. With this log skidding plate, it is possible to maneuver between trees, pass through wet areas and ditches, transporting logs out of the forest without getting stuck in the ground. Suitable for dragging individual large logs as well as smaller, thinner logs.

- Width 760 mm
- Telescopic tow bar
- Chain for securing logs

Product	Code
Log skidding plate	14.11700

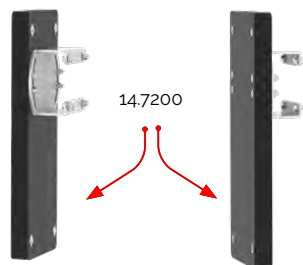
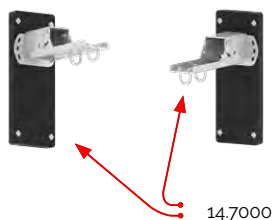
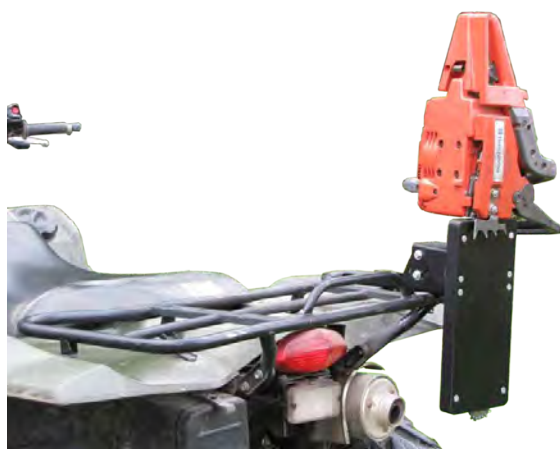




CHAINSAW HOLDER

A universal adjustable chain saw holder that is easy to install and remove. The holder, made from durable plastic, has a socket that fits most sizes of chain saw guide plates and does not damage the chain. The chainsaw holder can be attached to the front or rear rack of an ATV or UTV or to other vehicles equipped with a suitable tubular mounting point using U-clamps. The bolted connection version is ideally suited for attaching to trailer cargo boxes or cases etc.

Product	Code
Chainsaw holder (tubular frame)	14.7000
Chainsaw holder (bolted connection)	14.7200





WOOD CHIPPER G2

With a disc shaft (flywheel) cutting method, this high-yield wood chipper can produce wood chips from branches or smaller diameter trees. The compact size of the chipper, wide track width and the large terrain tires ensure good terrain passage. It is easily maneuvered in dense or other hard to reach areas without damage to the surface.

- Cutting method – disc shaft
- Max. diameter of wood 120 mm
- Motor 14hp (B&S 2100 XR Series)
- 360° rotatable and directable exit spout
- Terrain tires 19x7.00-8"

Product	Code
Wood chipper G2	76.5000
Accessories	Code
Fender & light set	76.5500
Spare parts	Code
Cutting blades kit	76.5002S
Belt	76.5006
Clutch kit	76.0002





WOOD CHIPPER G3

A wood chipper with a drum cutting method to produce wood chips from branches or smaller diameter trees. This can be used to cover sidewalks as mulch, for heating, etc. The compact size of the chipper ensures that it is easy to maneuver when mounted on an off-road vehicle. It can thus be used in dense or other hard to reach areas without damage to the surface. It is suitable for small-scale forestry work as well as park and real estate maintenance.

- Cutting method - drum
- Productivity 6-10 cbm/h
- Wood diameter max 150 mm
- Engine 14hp (B&S 2100 XR series) electric starter
- 360° rotating ejection tube



Product	Code
Wood chipper G3 - electric starter	76.7000
Spare parts	Code
Cutting blades kit	76.0003
Belt	76.7003
Clutch kit	76.0002



LEAF VACUUM

The leaf vacuum trailer is for personal, domestic use or public, communal service providers to clean and maintain the yards, parks, squares and roads from leaves, to collect grass, litter etc. The equipment allows quick and easy cleaning of large areas by collecting the leaves or mowed grass into the trailer's cargo box and transporting them to the desired location for unloading.

The leaf vacuum is equipped with a reliable 6hp Briggs & Stratton engine that is used to run a durable turbine 4 blade impeller made from Hardox 400 steel, with a productivity of 70m³/h. The product is equipped with a suction tube with a diameter of 180mm and a length of 3,5m, with a light and convenient wheeled nozzle.

The product set consists of the BASIC 500 (61.1000) modified trailer and the leaf vacuum module (81.2500) attached to it. The leaf vacuum module (vacuum, load surface grille, PVC cover) is easy to install onto the trailer and can easily be removed for the off-season period so that the trailer may be used for other purposes as well if desired.

- Cargo box capacity 1.2m³
- Vacuum productivity 70m³ / min
- Load capacity 500kg
- Engine 6hp Briggs & Stratton
- Off-road tires 22x11-8"
- Flexible suction tube diameter 180mm / length 3,5m
- Oils and biological acids resistant suction tube materials
- Tilttable cargo box
- Removable PVC cover and hatches
- Adjustable support leg



Product	Code
Leaf Vacuum Trailer	81.2000





HYDRAULIC POWER UNIT

The compact, electric motor-powered hydraulic unit is for ATV / UTV coupling devices. The hydraulic station has two ¼" quick release hydraulic couplers, to which it is possible to attach cylinders for turning and lifting the snow plow, controlling the bucket or setting the working positions of other coupled equipment. Allows to use the "free floating" option on one cylinder – good to use on a plow up-down movement cylinder. The unit is controlled via a wired remote control which can be mounted to the vehicle's control panel or any other convenient location using the supplied mounting bracket. The electrical power for the equipment to be taken from the electrical system of the vehicle.

- Productivity 2.5l / min (0.45cm³ / rev)
- Operating pressure 180 bar
- Motor 800W / 12V DC
- Oil tank 1 liter
- Hydro output 2 x ¼"
- Adjustable from the remote control

Product	Code
Hydraulic Power Unit	71.0000
Hydraulic cylinder & hoses sets	Code
Hydraulic hose extensions 3500mm	71.100
Hydraulic cylinder with hoses 250/1400	71.3100
Hydraulic cylinder with hoses 250/1600	71.5100
Hydraulic cylinder with hoses 178/1400	71.10000
To use with	
Standard plow turning and lifting, page 23	
V-plow turning, page 32	
Bucket lifting / tilting, pages 34-35	
Adjusting the working position of the grader, pages 84-85	



HYDRAULIC CYLINDER WITH HOSES 250/1400

- Cylinder diameter 32mm
- Mounting size min 380mm
- Cylinder stroke 250mm
- Hose length 1400mm

Mid-mount and front-mount system plow turning.

V-plow G2 1800 Blade turning.

Mid-mount, front-mount and V-plow system plows and buckets lifting / suppressing



HYDRAULIC CYLINDER WITH HOSES 250/1600

- Cylinder diameter 32mm
- Mounting size min 380mm
- Cylinder stroke 250mm
- Hose length 1600mm
- Quick connection ¼ "

Adjusting the working and transport position of the grader.



HYDRAULIC CYLINDER WITH HOSES 178/1400

- Cylinder diameter 32mm
- Mounting size min 300mm
- Cylinder stroke 178mm
- Hose length 1400mm
- Quick connection ¼ "

V-plow G2 1500 blade turning.



HYDRAULIC HOSE EXTENSIONS 3500MM

- Hoses length 3500mm
- Quick connection ¼ "





ELECTRO-HYDRAULIC CYLINDER

Compact electro-hydraulic cylinders are intended for exterior use, for setting the work and transport positions of different products. The product can easily be transferred from one piece of equipment to the other. The 12V DC power it requires to operate, taken from the electrical system of the vehicle. The selection includes MAP (Korea) and KYB (Japan) cylinders as well as different sets of control panels with power cables.

- Pull force 1800lbs (816kg)
- Cylinder rod diameter 20mm
- Mounting eye diameter 16mm
- Mounting gap min 380mm
- Stroke 250mm
- Power supply 12V DC

Product	Code
Electro-hydraulic cylinder MAP	70.700
Electro-hydraulic cylinder KYB	70.1000
Accessories	Code
One cylinder control kit	70.2500
Two cylinder control kit	70.2600
Power extension cable 3m	70.2700
Cylinder extension cable 1.2m	70.2750
To use with	
Standard plow turning and lifting, page 23	
Adjusting the working position of the grader, pages 84–85	
Trailer IB-165 cargo box tilting, pages 54–55	



MAP 250



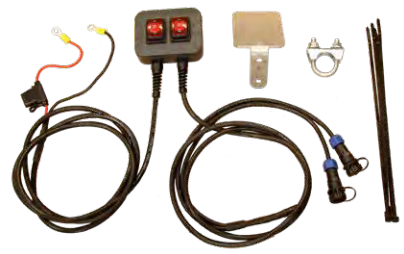
KYB 250





ONE CYLINDER CONTROL KIT

Control panel set with power cables and mounting devices for controlling one electro-hydraulic cylinder.



TWO CYLINDERS CONTROL KIT

Control panel set with power cables and mounting devices for controlling two electro-hydraulic cylinders.





QUICK RELEASE CLAMPS

Universal quick-release clamps for fastening tools with a diameter up to 50mm. The product selection includes clamps for tubular material racks or versions with an anchor connection for attaching to CFMOTO and POLARIS or any other racks with matching mounting hole diameter and depth.

Product	Code
Quick release clamps (frame connection)	14.10850
Quick release clamps POLARIS (anchor connection 25mm)	14.10860
Quick release clamps CFMOTO / SEGWAY (anchor connection 22mm)	14.11050



TUBULAR FRAME CONNECTION

For installation on round products up to 26mm in diameter





TIE DOWN ANCHOR (POLARIS)

For installation in openings with a diameter of 25 ... 30mm



ANCHOR MOUNT (CFMOTO / SEGWAY)

For installation on luggage racks and cargo boxes of CFMOTO or SEGWAY plastic 'lock&ride' mounting holes.



ECCENTRIC CLAMP

Eccentric clamps with anchor connection for attaching accessories to POLARIS or CFMOTO luggage racks.

Product	Code
Eccentric clamp POLARIS (anchor connection 25mm)	14.10000
Eccentric clamp CFMOTO / SEGWAY (anchor connection 2mm)	14.11000



ECCENTRIC CLAMP (POLARIS)

For installation in openings with a diameter of 25 ... 30mm



ECCENTRIC CLAMP (CFMOTO / SEGWAY)

mounting on CFMOTO plastic lock & ride luggage racks. Mounting hole 22mm

WINCH ROPE FAIRLEAD

Aluminum alloy winch synthetic rope slider for mounting on winches with a pulling power up to 3500lbs. Mounting hole spacing 124mm. Dimensions 160x55mm

Product	Code
Winch rope fairlead	14.001



LOADING RAMPS

Aluminium foldable loading ramps
Load capacity 550kg / pair
Length 2200mm
Width 280mm

Product	Code
Loading ramp	01.500



SUSPENSION LOCK



Suspension lock to lock the vehicle's suspension. The lock with its universal design attaches to the vehicle's front or rear a-arms, and a connecting rod with a pin connection fixes and locks the suspension travel. Installation is quick and easy, fitting most ATV models with „A"-style arms. Recommended for use when working with heavier receiver mount implements or front mounted plows/buckets.

Product	Code
Suspension lock	14.11600



SUSPENSION SPRING LOCK

The suspension spring lock is attached to the shock absorber of the vehicle with a clamp and stroke of the shock absorber is limited with adjustable plates. It fits most ATV shock absorbers with a diameter up to 45mm. Recommended for use when working with heavier receiver mount implements or front mounted plows/buckets.

Product	Code
Suspension spring lock	14.12200



MULTI-MOUNT WINCH

This compact electric winch set can be installed in a 2" receiver or on a universal mounting plate with U-clamps in a suitable location.

The set includes the electric winch X2500S.

- Pulling force 1134 kg (2500 lbs)
- Motor 1kw, 12V DC
- Transmission 138:1
- Pulling speed 2.1 – 7.5 m/min
- Strong nylon cord 6.3 mm x 12 m (0.24 in x 39 ft)
- Wireless remote control and wired standby switch
- Line guide with large base roller

Product	Code
Multi-Mount Winch kit	14.11500



EQUIPMENT BOX

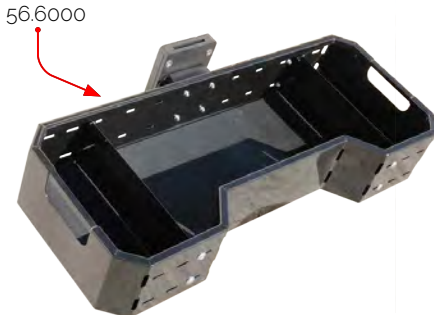
The steel made equipment box with a universal design solution is for installation on POLARIS SPORTSMAN models but is suitable for attaching to front and rear racks of other ATV models as well. The product's separating inner walls have adjustable locations and the bottom is covered with a rubber that prevents slipping. The box is attached to the rack using U-clamps that come with the set or with eccentric clamps that can be ordered as an additional accessory.

The equipment box can be ordered, if desired, together with the universal chainsaw holder. The holder, made from durable plastic, has a socket that fits all sizes of saw chain guide plates.

A PVC cover for the equipment box, which protects the box contents from rain, snow or dirt, is available as an optional accessory.

Product	Code
Equipment box	56.5000
Equipment box with chainsaw holder	56.6000
Accessories	Code
PVC cover	56.5100
Eccentric clamp POLARIS	14.10000
Eccentric clamp CFMOTO / SEGWAY	14.11000

Product	Code
Front basket g20x440x160	56.7100





CLUTCH KITS

Performance of ATV-s and UTV-s is largely depending on the set-up of the clutch system of the vehicle. Factory-fitted original clutches are calibrated for the standard tyres and suspension, and for universal use of the vehicle. If you wish to use your vehicle on more specific occasions or in more demanding conditions, such as for complicated farming or gardening works or for towing or carrying heavier loads, or you want to use oversize wheels and tyres for better off-road capabilities or even go racing, then your vehicle's clutch system needs a different set-up, to match the use of the vehicle. For these purposes, we have developed different types of clutch kits for CFMOTO, SEGWAY ja POLARIS models.

Our model-specific clutch kits include a detailed installation and set-up manual. Installation is not complicated but may require special tools and some technical knowledge, therefore professional installation and set-up is recommended.

CFMOTO and SEGWAY Clutch kits have been developed in collaboration;



POLARIS Clutch kits have been developed in collaboration;





For CFMOTO and SEGWAY models, we offer three different (Stage 1, Stage 2, Stage 3) clutch upgrade kits based on the machine's purpose of use and tyre selection;

CFMOTO

	Stage 1	Stage 2	Stage 3			
	25"-27"	28"-34"	TRAIL	MUD	SKEG MÖNSTER	ROAD
			25"-28"	25"-28"	30"-34"	25"-30"
CFORCE 450/500/520	80.1600	80.900	80.5200		80.5300	
CFORCE 625/625 Touring	80.500	80.550	80.1300	80.5400		
CFORCE 850	80.100	80.700	80.1400	80.5500	80.5600	
CFORCE 1000	80.200	80.800	80.1500	80.5700	80.5800	80.6800
CFORCE 1000 Overland	80.200	80.800	80.1500	80.5700	80.5800	80.6800
UFORCE 600	80.4200		80.4200	80.6600		
UFORCE 1000	80.600	80.650	80.6200	80.6300	80.6400	80.6500
UFORCE 1000 XL	80.600	80.650	80.6200	80.6300	80.6400	
ZFORCE 950	80.2100	80.2200		80.2000	80.5900	80.6000
ZFORCE G2 950 Sport	80.2100		80.6100	80.2000	80.5900	80.6000
ZFORCE G2 950 Sport XL	80.2100		80.6100	80.2000	80.5900	
ZFORCE 1000	80.2100	80.2200		80.2000	80.5900	80.6000

SEGWAY

	Stage 1	Stage 2	Stage 3			
	25"-27"	28"-34"	TRAIL	MUD	SKEG MÖNSTER	ROAD
			25"-28"	25"-28"	30"-34"	25"-30"
Snarler AT6	80.3700	80.3700		80.5000		
Villain SX10			80.6900	80.7000		

STAGE 1 – COMFORT, WORK & TRAIL RIDING

Stage 1 clutch kit is an excellent choice for trail riding, occasional mud and sand riding, plowing and hauling. Our most popular, best all-around use kit helps to transfer the engine power to the wheels better, so you can use the engine's potential more effectively and the vehicle runs smoother, with the harsh take offs reduced.

Stage 1 can be upgraded to Stage 2 or Stage 3 by adding Secondary spring (page 116) or Helix (page 116).



STAGE 2 – MUD & BIG HEAVY TYRES

Stage 2 clutch kits have been developed for riding with oversize, heavier mud tyres. It reduces belt slipping and protects the clutch from overheating. It also gives better low-end power and torque which results in crisp throttle response.

Stage 2 sets can be upgraded to Stage 3 by adding right Helix (page 117).



STAGE 3 – PRO SERIES

Stage 3 is the best possible clutch clutch upgrade for your machine. This all-around kit significantly enhances power transmission from the engine to the wheels, providing improved engagement, better acceleration, and quicker backshifts. We offer a variety of Stage 3 clutch kits for specific performance results.

There are four different Stage 3 kits to choose from to ensure the best fit for your needs.



There are four different Stage 3 kits to choose from to ensure the best fit for your needs.



STAGE 3 – TRAIL

Our best all-around use kit helps to transfer the engine power better to the wheels. Better acceleration and an overall improved riding experience. Quicker backshift which results in crisp throttle response. Reduces belt slip and minimizes heat generation. Suitable for vehicles with tyres sized between 25"-28".



STAGE 3 – MUD

Mud kit is for riding in thick mud or have big tyres. Helps to transfer the engine power better to the wheels. Quicker backshift which results in crisp throttle response. Reduces belt slip and minimizes heat generation. Suitable for vehicles with tires sized between 28"-34".



STAGE 3 – SKEG MÖNSTER

Skeg Mönster kit is best for Mud/Skeg riding with oversized tyres. Helps to transfer the engine power the best to the wheels. Quicker backshift which results in crisp throttle response. Reduces belt slip and minimizes heat generation. Suitable for vehicles with tyres sized between 30"-34".



STAGE 3 – ROAD

Special kit for On-Road use. Helps to use engine torque more efficiently and get more driving range. Suitable for vehicles with lightweight road tyres, sized between 25"-30". Recommended for units with ECU tune (page 119).





For POLARIS models, we offer two different (TRAIL, MUD) clutch upgrade kits based on the machine's purpose of use and tire selection;

TRAIL – Comfort, work & trail riding

Trail clutch kit is an excellent choice for trail riding, occasional mud and sand riding, plowing and hauling. Our most popular, best all-around use kit helps to transfer the engine power to the wheels better, so you can use the engine's potential more effectively and the vehicle runs smoother, with the harsh take offs reduced.



MUD Muddy & big heavy tires

Mud clutch kits have been developed for riding with heavier mud tyres. It reduces belt slipping and protects the clutch from overheating. It also gives better low-end power and torque which results in crisp throttle response.





Model	TRAIL		
	Stage 1 ...-27"	Stage 2 28"-29"	Stage 3 28"-29"
Sportsman 550	80.3100		
Sportsman Touring 550	80.3100		
Sportsman 570 EBS (2015-2020)	80.4300		
Sportsman 570 (non EBS)	80.4800		
Sportsman 570 2021+ (incl EBS)	80.3400	80.4700	80.3300
Sportsman 850 (2011+)	80.2700	80.2800	
Sportsman 1000 (2011+)	80.2500	80.2600	
Sportsman Touring 850 (2011+)	80.2700	80.2800	
Sportsman Touring 1000 (2011+)	80.2500	80.2600	
Scrambler 850 (2011+)	80.2700	80.2800	
Scrambler 1000 (2011+)	80.2500	80.2600	

Model	MUD				
	Stage 1 ...-27"	28"	Stage 2 29"	30"*...	Stage 3 28"*
Sportsman 550		80.3200			
Sportsman Touring 550		80.3200			
Sportsman 570 EBS (2015-2020)		80.4400			
Sportsman 570 (non EBS)		80.4900			
Sportsman 570 2021+ (incl EBS)					80.3300
Sportsman 850 (2011+)	80.2900			80.3000	
Sportsman 1000 (2011+)	80.2900			80.3000	
Sportsman Touring 850 (2011+)	80.2900			80.3000	
Sportsman Touring 1000 (2011+)	80.2900			80.3000	
Scrambler 850 (2011+)	80.2900			80.3000	
Scrambler 1000 (2011+)	80.2900			80.3000	

SECONDARY CLUTCH SPRINGS

Secondary clutch spring is designed for riding with oversized wheels (28" and up). It reduces belt slipping and protects clutch for overheating, it gives better low-end power, torque and quicker backshift which results in crisp throttle response.

CFMOTO

Model	28"-35"
CFORCE 450/500/520	80.1000
CFORCE 625/625 Touring	80.1000
CFORCE 850	80.1000
CFORCE 1000	80.1000
CFORCE 1000 Overland	80.1000
UFORCE 600	80.1000
UFORCE 1000	80.1000
UFORCE 1000 XL	80.1000
ZFORCE 950	80.1000
ZFORCE G2 950 SPORT	80.1000
ZFORCE G2 950 SPORT XL	80.1000
ZFORCE 1000	80.1000



POLARIS

Model	TIRES			
	...-27"	28"	29"	30"+...
Sportsman 550		80.3630	80.3630	80.3630
Sportsman Touring 550		80.3630	80.3630	80.3630
Sportsman 570 EBS (2015-2020)		80.3630	80.3630	80.3630
Sportsman 570 (non EBS)		80.3630	80.3630	80.3630
Sportsman 570 2021+ (incl EBS)		80.3640	80.3640	80.3640
Sportsman 850 (2011+)	80.3610	80.3610	80.3610	80.3620
Sportsman 1000 (2011+)	80.3610	80.3610	80.3610	80.3620
Sportsman Touring 850 (2011+)	80.3610	80.3610	80.3610	80.3620
Sportsman Touring 1000 (2011+)	80.3610	80.3610	80.3610	80.3620
Scrambler 850 (2011+)	80.3610	80.3610	80.3610	80.3620
Scrambler 1000 (2011+)	80.3610	80.3610	80.3610	80.3620



CAN-AM

Model	TIRES	
	27"-28"	28"-32"
Outlander / Renegade 400cc - 1000cc (all models)	80.320	80.310



SECONDARY CLUTCH HELIXES



HELIX versions depending on the machine configuration for optimal power transmission.

Model	Angles	Code
CFORCE 450/520/625	40°	80.1110
CFORCE 850/1000 / UFORCE 1000	35°	80.1120
CFORCE 850/1000	50°	80.1130
CFORCE 850/1000 / UFORCE 1000	38°-52°	80.1140
CFORCE 450/520/625	40°-48°	80.1150
CFORCE 520	32°-42°	80.1160
CFORCE 1000 / ZFORCE 950/950H/1000	43°-56°	80.1170
Segway Snarler AT6	38°-48°	80.1180

Straight, fixed angle Helixes for getting linear upshifting behavior;

- 35° for mud use (for all engines)
- 40° for mud use (for all engines)
- 50° for small tyres and fast acceleration (recommended for upgraded two-cylinder engines)

Multi-angle/progressive Helix to get the best of both worlds;

- 40°-48° for all single cylinder, all-around use
- 38°-52° for all two cylinders, all-around use
- 32°-42° for SKEG MONSTERS
- 43°-56° for On-Road use



PERFORMANCE ENGINE HIGH FLOW INTAKES

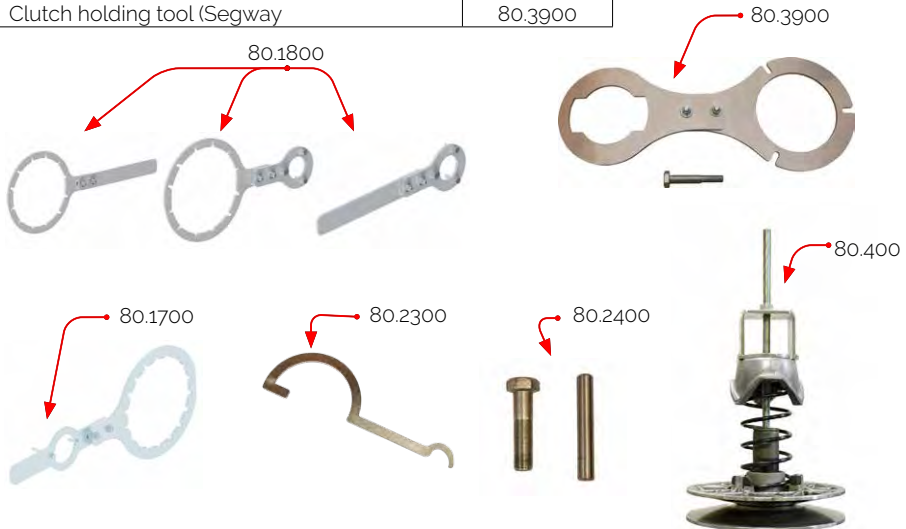
- Optimizes the air flow in the AirBox and Engine
- Increases the air flow speed
- More engine power (dyno proven)
- Flow bench tested to achieve the best design and eliminate air turbulence
- Better throttle response
- Recommended for use with ECU tune (page 119).



Product	Code
High flow intake CFORCE 1000 (incl 80.6730)	80.6710
High Flow intake CFORCE 850 (incl 80.6740)	80.6720
Max airflow inlet pipe CFORCE 1000	80.6730
Max airflow inlet pipe CFORCE 850	80.6740

CLUTCH TOOLS

Product	Code
Clutch compression tool, universal	80.400
Clutch holding tool CFMOTO (CVTech LP3)	80.1700
Clutch holding tool (CanAm)	80.1800
Clutch holding tool (Polaris)	80.2300
Primary clutch puller (Polaris)	80.2400
Clutch holding tool (Segway)	80.3900



ECU TUNING

The goal of ECU tuning is to optimize engine performance, increasing power, fuel efficiency, and throttle response. With the MyGenius device, consumers can download vehicle's OEM data from the vehicle's ECU, send it to Powersport Calibration engineers, and receive back tuned data according to vehicle's specification and customer preferences.

Product	Code
ECU Tuner (CFMOTO)	80.5110
ECU Tuner (Can-Am)	80.5120
ECU Tuner (POLARIS)	80.5130
ECU Tuner (SEGWAY)	80.5140



Package Contents: Programming device (MyGenius). Programming (2 tunes) for one vehicle (VIN locked). Selected adapter for the vehicle

MyGenius device and Powersport Calibrations tunes only work with that one specific vehicle (locked by VIN) which will be registered with the device when downloading OEM data from vehicle ECU for the first time. The device (and stored tunes in this device) are not usable by any other vehicle.

Installation process:

1. Connect MyGenius to the vehicle's diagnostic port and read the ECU's original software into the device's memory.
2. Connect the device to a computer and download the software to the computer.
3. Send the software via email for customization (detailed instructions included).
4. Specify your preferences for the software customization in your email.
5. Upon receiving (turnaround time max 48 hours) the modified file via email, load it onto the MyGenius device.
6. Connect the device to the vehicle and load the new software onto the vehicle's ECU, and you're ready to go!

If desired, you can revert to the original program or the modified program in the vehicle's ECU memory as often as you wish. The program versions are stored in the MyGenius device's memory.

As a default, we will send you the following tunes:

- Tuned software with a 60 km/h speed limiter
- Tuned software without a speed limiter

ECU Tuning has been developed in collaboration

Powersport
— Calibrations —

Possible options:

- Modified or no speed limit
- Modified or no speed limit for L gear
- Modified or no speed limit for H gear
- Modified or no speed limit for Reverse gear
- Modified or no speed limit when differential lock is activated
- Modified MAX RPM
- Modified cooling fan switching temperature

ECU tunings are for off-road driving only!

MODEL SPECIFIC MOUNTING KITS



FRONT-MOUNT ADAPTERS

Model specific adapters for mounting front-mount system.



MID-MOUNT ADAPTERS

Model specific adapters for mounting mid-mount system.



FRONT WINCH MOUNTING KITS

Model specific adapters for „WARN " or „Bronco" type of ATV winches with mounting pattern of 76x124mm



REAR WINCH MOUNTING KITS

Model specific adapters for „WARN " or „Bronco" type of ATV winches with mounting pattern of 76x124mm



HITCH BALL MOUNTING KITS

Model specific reinforced design rear hook adapters. Most kits include a 50 mm hitch ball and a 16mm pin connection.



LIFT CYLINDER ADAPTERS

Model specific adapters for installing hydraulic and electro-hydraulic cylinders for up-down movement of plows, push brooms and buckets.



MODEL SPECIFIC MOUNTING KITS

Model	Mid-mount adapter	Front-mount adapter		Front winch mount	Rear winch mount	Hitch-ball mount	Lift cylinder adapter
		standard	narrow				
Access							
AX 600/700/800 U/UL	03.4400	03.10900			05.9400		
Arctic Cat							
500/550/700	03.4600				05.5100		
550/700 Alterra	03.8000	03.8100			05.7800	15.1400	71.9000
1000 XT	03.4500				05.5100		
TRV 500/550/700/1000 (-2016)	03.4200				05.5100		
TRV 500/550/700/1000 (2017+)	03.4200				05.8000		
AODES							
800	03.9100	03.9200			05.8400		71.3000
650/850/1000	03.12800	03.12900			05.10400	15.1400	
BRP Can-Am							
Outlander G1	03.1500			05.800	05.3000	15.300	71.3000
Outlander G2	03.3500	03.6300			05.5000*	15.1900*	71.3000
Outlander G2 L	03.3500	03.9900			05.5000*	15.1900*	71.3000
Outlander G3 (2023+)	03.14500		03.14600			15.1900	71.11700 (with front bumper) 71.3000 (without front bumper)
Outlander X XC (2023+)	03.3500	03.14000			05.5000	15.1900	
Outlander X MR	03.3500	03.6300			05.5000*	15.1900*	71.3000
Outlander 6x6	03.3500	03.6300			05.7500	15.1900*	71.3000

* Original 2" receiver mount required for installation.

ADAPTERS

Model	Mid-mount adapter	Front-mount adapter		Front winch mount	Rear winch mount	Hitch-ball mount	Lift cylinder adapter
		standard	narrow				
BRP Can-Am							
Outlander 450 6x6	03.3500	03.9900			05.7500	15.1900*	71.3000
Renegade G1	03.1500			05.1100	05.3000	15.300	
Renegade G2	03.3500			05.4800	05.5000*	15.1900*	
Renegade X MR	03.3500			05.4800	05.5000*	15.1900*	
Renegade X XC (2023+)	03.3500				05.5000*	15.1900*	
Commander (-2014)	03.3800						
Maverick (-2014)	03.4700			05.5600			
Traxter/Defender	03.8700	03.8600			05.7900	15.1900	
CFMOTO							
CFORCE 450/520 (-2021)	03.6600		03.6500		05.6900		
CFORCE 450/520 (2022+)	03.6600		03.13300		05.10500	15.1400	
CFORCE 550/600	03.6600	03.5900			05.6700		
CFORCE 625 / 625 Touring (-2022)	03.11300		03.11400		05.9600	15.1400	71.10700
CFORCE 625 / 625 Touring (2023+)	03.11300		03.11400		05.10800	15.1400	71.10700
CFORCE 800/820 (X8)	03.3700	03.5900					
CFORCE 850/1000	03.8500	03.8400			05.7700	15.1400	71.10400
CFORCE 1000 Overland	03.8500	03.8400			05.7700	15.1400	71.3000
ZFORCE 550 EX (Z5 EX)	03.5200				05.6300	15.1700	
ZFORCE 600 (Z6)	03.2900			05.3700			
ZFORCE 600 EX (Z6 EX)	03.5200			05.3700			
ZFORCE 800 EX (Z8 EX)	03.5200				05.6300	15.1700	

CFMOTO									
ZFORCE 1000		03:5200					05:6300	15:1700	
ZFORCE 1000 Sport		03:11700		03:11800			05:9700	15:1400	
ZFORCE 1000 Sport R		03:11700					05:9700	15:1400	
ZFORCE 950 Sport (2023+)		03:14300		03:14400	05:11100		05:11000	15:1400	71:3600
UFORCE 550		03:4100						15:1300	
UFORCE 600		03:12600		03:12700			05:10300	15:1400	71:11100 71:10850
UFORCE 800		03:4100						15:1300	
UFORCE 1000		03:10000		03:10600			05:9300	15:1400	71:10300 71:7030
CORVUS									
Terrain DX4 (-2021)		03:12200		03:12100					71:10800 71:10900
Terrain DX4 (2021+)		03:12200		03:13300					71:10850
GOES									
725		03:4400							
UTX_520		03:3000							
Cobalt / Iron		03:6600	03:6800				05:7200 (-2019)		
UTX 700		03:3600							
Hisun									
700		03:3600							
Tactic 550/750 2-UP		03:9000	03:8900				05:8200		71:3000

ADAPTERS

Model	Mid-mount adapter	Front-mount adapter		Front winch mount	Rear winch mount	Hitch-ball mount	Lift cylinder adapter
		standard	narrow				
Honda							
TRX 420 FA6 (IRS)	03.3200		03.6000	05.6100	05.6800	15.2000	
TRX 450 ES/S				05.1900			
TRX 500 FA	03.1300			05.600			
TRX 500 FA (IRS)	03.3200		03.6000	05.6100	05.6800	15.2000	
TRX 500 FE (-2011)	03.1300			05.600			
TRX 500 FE (2012-2013)	03.3200			05.4300			
TRX 500 FE (2014+)	03.3200		03.6000	05.6100		15.1100	
TRX 520 FA (IRS) (2019+)	03.3200		03.13900	05.6100	05.6800	15.2000	
TRX 650/680	03.1200	03.7500		05.500	05.3200	05.3200	
John Deere							
XUV 590M	03.10400					15.1400	
XUV 865	03.10700						
HPX 815E	03.10800						
Kawasaki							
KVF 360	03.2300			05.1800			
KVF 650 Rigid	03.300	03.7600		05.100			
KVF 650/750 BruteForce	03.300	03.7600		05.100	05.2800	05.2800	
Mule SX 4x4 (2017+)	03.14900		03.14700	05.11200		15.2500	
KUBOTA							
RTV-X900	03.10200						

Kymco									
MXU 250/300		03.2600							
MXU 500		03.1120							
MXU 700 (-2019)		03.9400	03.9300				05.8500		71.3000
MXU 700 (2020+)		03.9400		03.12300			05.10100		
UXV 500		03.2700							
Linhai									
300/400		03.200							
400 IRS		03.2800				05.3500			
500		03.2800		03.10100			05.9200		
550		03.2800				05.5700			
M550 / 550L		03.2800	03.11100			05.9500	05.9200		
600		03.2800				05.10700	15.1400		71.3000
LONCIN									
Xwolf		03.14100		03.14200					
Polaris									
ACE 325/570/900		03.5600	03.7100			05.6500		15.1200	
Sportsman 400 (2011+)						05.3900			
Sportsman 450/570/ETX/SP (-2020)		03.5000	03.5700			05.3900	05.5300	15.1200	71.4000 71.6000
Sportsman 500 (-2010)		03.1560				05.1200	05.6000		
Sportsman 500 (2011+)		03.1560				05.3900	05.5300	15.1200	
Sportsman 550		03.1700				05.3100	05.2700	15.1200	
Sportsman 570		03.5000	03.5700			05.3900	05.5300	15.1200	
Sportsman 800 (-2010)		03.1100				05.1200			
Sportsman 800 (2011+)		03.1560				05.3900	05.5300	15.1200	

Model	Mid-mount adapter	Front-mount adapter		Front winch mount	Rear winch mount	Hitch-ball mount	Lift cylinder adapter
		standard	narrow				
Polaris							
Sportsman 850 (-2014)	03.1700			05.3100	05.2700	15.1200	
Sportsman 850 (2015+)	03.1700	03.6200		05.3100	05.2700	15.1200	
Sportsman 1000 (-2016)	03.1700	03.6200		05.3100	05.2700	15.1200	
Sportsman 1000 (2017+)	03.1700	03.7700		05.3100	05.2700	15.1200	71.6000
Sportsman 1000 S (2020+)	03.11500	03.11600			05.9800	15.1400	71.6000
Sportsman X2 500	03.2200						
Sportsman X2 800	03.1900						
Sportsman Touring 550	03.1700			05.3100	05.2700	15.1200	
Sportsman Touring 570 / X2 / Nordic LE	03.5400	03.5700			05.5300	15.1200	71.4000 71.6000
Sportsman Touring 850 (-2014)	03.1700			05.3100	05.2700	15.1200	
Sportsman Touring 850 (2015+)	03.1700	03.6200		05.3100	05.2700	15.1200	
Sportsman Touring 1000	03.1700	03.6200		05.3100	05.2700	15.1200	
Scrambler 850/1000 (-2014)	03.1700				05.2700	15.1200	
Scrambler 850/1000 (2015+)	03.1700	03.6200			05.2700	15.1200	
Scrambler 1000 S (2020+)	03.11500			05.9900	05.9800	15.1400	
RZR 570	03.7200	03.7300		05.1700	05.7100	15.3000	
RZR 800 / 800S	03.2100	03.7300		05.1700	05.2400		
RZR 900 XP (-2014)	03.3300		03.7000	05.4400	05.4500		
RZR 1000 XP	03.5500			05.6400		15.1800	
RZR 1000 XP Turbo	03.5500			05.6400		15.1800	
RZR 900S / 1000S	03.5500		03.7900	05.6400		15.1200	71.10500

RZR PRO XP	03:12000									05:10000	15:1400	
Big Boss 570	03:5400	03:5700				05:3900			05:7400 05:9100	15:1200	71:4000	71:6000
Big Boss 800	03:1100					05:3900				15:1200		
Ranger 400/EV	03:3100				03:7000	05:4200			05:4100	15:1400	71:7000	
Ranger 570 (-2021)	03:5100				03:7000	05:4200			05:6200	15:1400	71:7000	
Ranger SP 570 (2022+)	03:13600				03:13500	05:10600				15:1400	71:11400	71:10850
Ranger 570 Nordic Pro (2022+)	03:13600				03:13800	05:10600				15:1400	71:11600	71:10850
Ranger 800 6x6					03:7000	05:4200				15:1400	71:7000	
Ranger 800 Crew					03:7000	05:4200				15:1400	71:7000	
Ranger 900 XP	03:4800					05:5900			05:5800	15:1400	71:7000	
Ranger 900 Diesel	03:3400				03:7000	05:4200			05:4600	15:1400	71:7000	
Ranger Diesel (-2018)	03:4800					05:5900			05:5800	15:1400	71:7000	
Ranger Diesel (2019+)	03:4800				03:9800	05:5900			05:5800	15:1400	71:3500	
Ranger 1000 (-2020)	03:4800				03:9800	05:5900			05:5800	15:1400	71:3500	
Ranger 1000 (2021+)	03:4800				03:9800	05:5900				15:1400	71:3500	
Polaris General 1000	03:7800				03:7900				05:7300	15:1400	71:3500	
Segway												
Snarler AT5	03:15000	03:15100							05:11300	15:1400	71:11000	
Snarler AT6	03:12500	03:12400							05:10200	15:1400	71:11000	
Fugleman UT10	03:13100				03:13200					15:1400	71:11200	
Villain SX10 (2021+)					03:13400					15:1400		
Suzuki												
KingQuad 450/500/700/750 (-2018)	03:200		03:6100			05:300			05:2600	15:200	71:3000	
KingQuad 500/750AXi (EPS)	03:200		03:6100			05:300			05:2600	15:200	71:3000	
KingQuad 500/750AXi (2019+)	03:200		03:6100			05:8900			05:9000	15:1400	71:10100	

Model	Mid-mount adapter	Front-mount adapter		Front winch mount	Rear winch mount	Hitch-ball mount	Lift cylinder adapter
		standard	narrow				
TGB							
425 Blade	03.2400						
550 Blade	03.2400	03.8300		05.6600		15.1400	
600 Blade	03.2400	03.8300			05.7600	15.1400	71.3000
600 LT Blade	03.2400	03.8300			05.7600	15.1400	71.3000
600 LTX Blade	03.2400	03.11000			05.7600	15.1400	
1000 Blade	03.8200	03.8300			05.7600	15.1400	71.3000
1000 LTX Blade	03.8200	03.11000			05.7600	15.1400	
Trapper							
550/750	03.9000		03.8900			05.8200	71.3000
Yamaha							
Grizzly 450 (2006-2008)	03.2000			05.1400			
Grizzly 450 (2009-2010)	03.600			05.1400			
Grizzly 550	03.600	03.7400		05.200		15.1500	71.3000
Grizzly 660	03.600			05.1300			71.3000
Grizzly 700 (-2013)	03.600	03.7400		05.200		15.1500	71.3000
Grizzly 700 (2014-2015)	03.11200	03.7400		05.200		15.1500	71.3000
Grizzly 700 (2016+)	03.11200	03.6900		05.7000		15.1500 15.2100	71.3000
Kodiak 450 (2017-2021)	03.11200		03.8800		05.8100	15.2200	71.3000
Kodiak 450 (2022+)	03.11200		03.13700		05.8100	15.2200	71.3000
Kodiak 700	03.11200	03.6900		05.7000		15.1500 15.2100	71.3000
Rhino 700	03.700						
Wolverine 700	03.9600			05.8700	05.8800	15.1400	71.3600



IRON BALTIC OÜ

Põldmäe tee 1

Vatsla 76915

ESTONIA

Phone: +372 653 3711

sales@ironbaltic.com

WWW.IRONBALTIC.COM

